

# Large Size Vacuum Module:

## Series ZR

### Ejector System/Vacuum Pump System

- Large suction flow rate, suitable when used with large size pads or multiple pads.
- Nozzle dia.  $\phi 1.0$ ,  $\phi 1.3$ ,  $\phi 1.5$ ,  $\phi 1.8$ ,  $\phi 2.0$
- Vacuum module suitable for handling workpieces of 0.5 to 5 kg.



ZA

ZX

**ZR**

ZM

ZMA

ZQ

ZH

ZU

ZL

ZY□

ZF□

ZP□

SP

ZCUK

AMJ

AMV

AEP

HEP

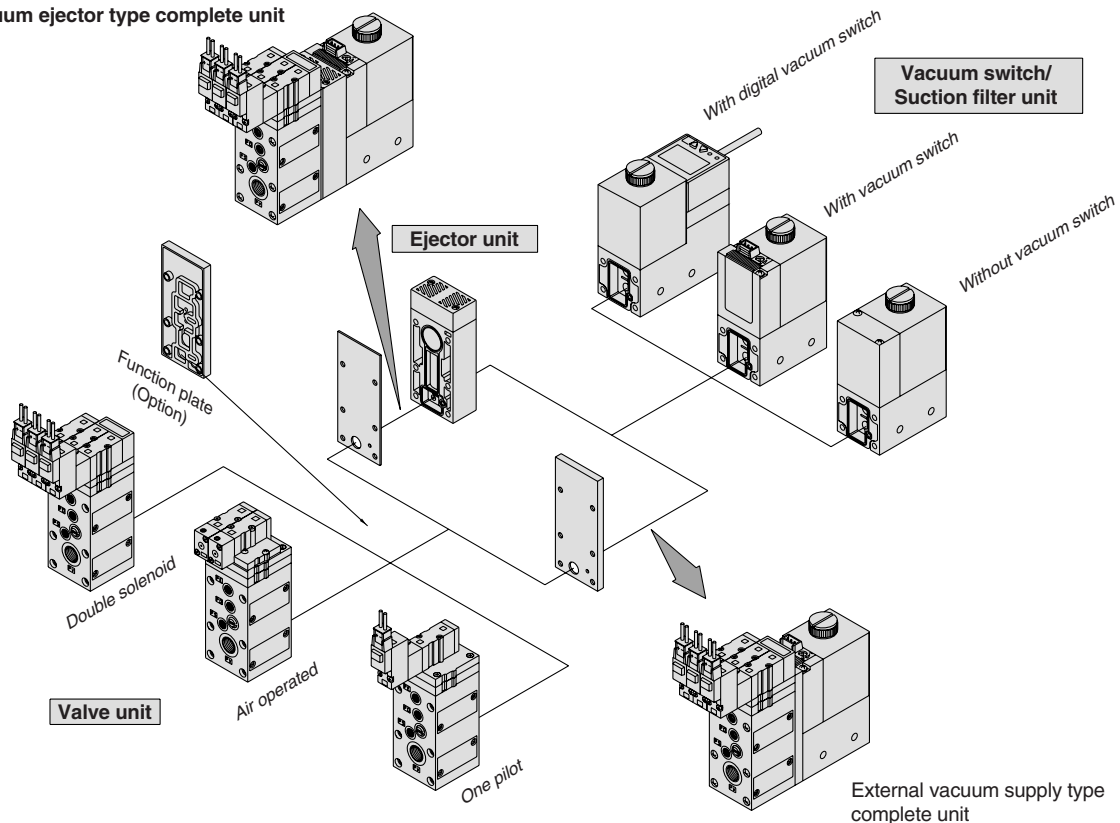
Related  
Equipment

# Large Size Vacuum Module: Ejector System/Vacuum Pump System Series ZR

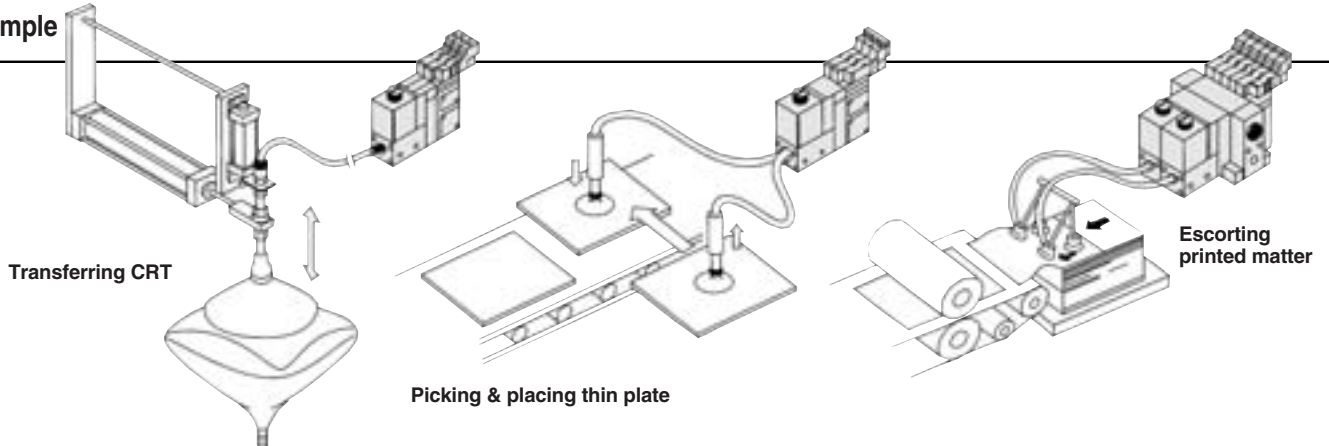
Vacuum module suitable for handling workpieces of 0.5 to 5 kg.

- Modular design/Customized application function through selection of modular components.
- Modules for use with external vacuum supply (from pump or mainline) or as an air driven ejector system.
- Safe — Vacuum self-holding function by means of double solenoid valves.
- Compact, Lightweight
- Manifolding possible

Vacuum ejector type complete unit




## Application Example





## Modular Components Introduction


### System

Component equipment	Characteristics
---------------------	-----------------

<b>Ejector unit</b> <b>ZR1-W</b> 	Nozzle dia. (mm)	
	Maximum suction flow rate (ℓ/min. (ANR))	Type S
		Type L
	Air consumption (ℓ/min (ANR))	
	Maximum vacuum pressure	
Exhaust release (Ejector exhaust)		

<b>Valve unit</b> <b>ZR1-V</b> 	Component equipment
	Function
	Operation
	Power supply voltage

<b>Vacuum pressure switch</b> <b>ZSE2-0R-15</b> <b>ZSE4□-00-□□-□-X105</b> 	Set pressure range
	Hysteresis
	Operating voltage

<b>Suction filter unit</b> <b>ZR1-F</b> 	Operating pressure range
	Filtration degree
	Material

<b>Function plate</b> <b>ZR1-RV</b> 	Symbol	RV1
		RV2
		RV3

Common specifications	Unit	Air supply port
		Vacuum pad connection port
	Manifold	Air supply port
		Pilot valve connection port
		Release valve connection port
		Common exhaust port
		External vacuum supply port

Refer to pages 945 to 954 for further specifications of each unit.

### Ejector System

P. 940 to 967

1.0	1.3	1.5	1.8	2.0
22	38	54	62	84
42	52	74	88	105
46	78	95	150	185
S: -84 kPa		L: -53 kPa		
Built-in silencer, Manifold exhaust Individual exhaust port				

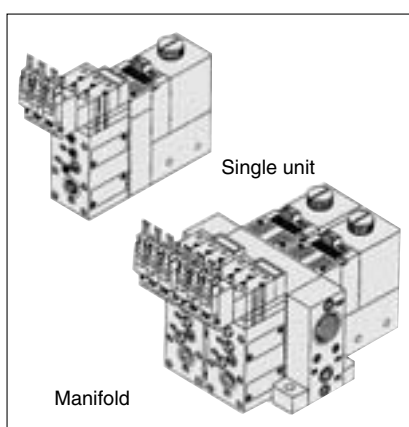
Supply valve (Pilot type)/Release valve (Pilot type)
N.C./N.O.
Solenoid valve (Double, Single)/Air operated valve
3, 5, 6, 12, 24 VDC, 100, 110 VAC (50/60Hz)

-101 to 0 kPa/-101 to 10 kPa
3% or less
12 to 24 VDC (Ripple ±10% or less )

Vacuum to 100 kPa
30 $\mu$ m
PVF

Air pressure supply port(PV) $\leftrightarrow$ Pilot pressure supply port(PS) $\leftrightarrow$ Release pressure supply port(PD)
Air pressure supply port(PV) $\leftrightarrow$ Pilot pressure supply port(PS) / Release pressure supply port(PD)
Air pressure supply port(PV) / Pilot pressure supply port(PS) $\leftrightarrow$ Release pressure supply port(PD)

Rc 1/8
Rc 1/8
Rc 1/8
M5
M5
Rc 1/2
—
Rc 1/8



### Vacuum Pump System

P. 968 to 983

—
---

- ZA
- ZX
- ZR**
- ZM
- ZMA
- ZQ
- ZH
- ZU
- ZL
- ZY□
- ZF□
- ZP□
- SP
- ZCUK
- AMJ
- AMV
- AEP
- HEP
- Related Equipment

# Large Size Vacuum Module: Ejector System Series ZR



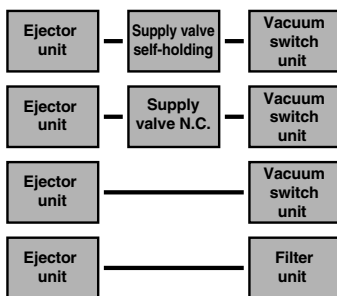
For details about certified products conforming to international standards, visit us at [www.smcworld.com](http://www.smcworld.com).

## How to Order

### Note for model selection

Take function plates into consideration. (Refer to page 943.)

### Components



### Ejector module nozzle diameter

10	1.0 mm
13	1.3 mm
15	1.5 mm
18	1.8 mm
20	2.0 mm

Maximum vacuum pressure

S	-84 kPa
L	-53 kPa

### Ejector exhaust

Symbol	Type	Valve	Manifold
1	Built-in silencer	●	●
2 <sup>(1)</sup>	Port exhaust	●	●
3 <sup>(2)</sup>	Common exhaust	—	●

Note 1) When port exhaust is applied to the manifold, pilot exhaust is done by common exhaust. Thus, the exhaust port on the manifold base should be open while operating.

Note 2) When the product is used for the manifold specification and common exhaust, the exhaust air of the operating ejector releases may enter the vacuum (V) port of the non-operating ejector and be released if there are an operating and non-operating ejector. Select either the built-in silencer or port exhaust for the ejector exhaust method.

Combination of supply valve and release valve  
Refer to "Table (1)" on page 941 for details.

### Electrical entry

Nil	DC: 1 W (With indicator light: 1.05 W)
	AC
Y*	DC: 0.45 W (With indicator light: 0.5 W)

\* Only 24 VDC and 12 VDC are applicable to 0.45 W.

### Solenoid valve rated voltage

Nil	Air operated
5	24 VDC
6	12 VDC
V	6 VDC
S	5 VDC
R	3 VDC
D1	100 VAC (50/60Hz)
D2	110 VAC (50/60Hz)

### Electrical entry

Nil	Air operated
For 24, 12, 6, 5, 3 VDC	
L	Lead wire length 0.3 m
LN	Without lead wire (Applicable to only DC)
LO	Without connector
M	Lead wire length 0.3 m
MN	Without lead wire (Applicable to only DC)
MO	Without connector
G	Grommet Lead wire length 0.3 m (Applicable to only DC)
H	type Lead wire length 0.6 m (Applicable to only DC)

### 100, 110 VAC (With rectifier)

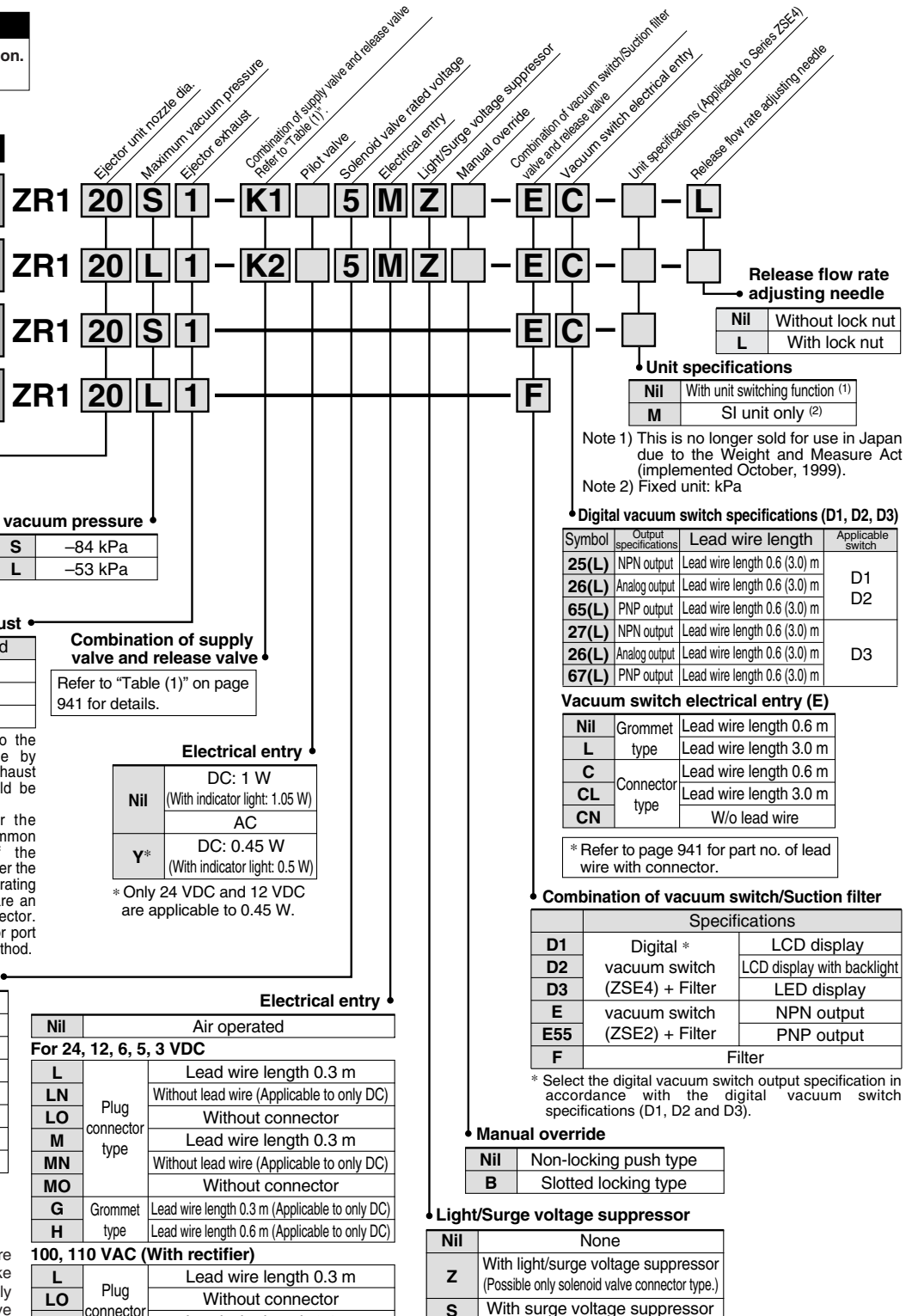
L	Lead wire length 0.3 m
LO	Without connector
M	Lead wire length 0.3 m
MO	Without connector

\* Refer to "Table (2)" on page 941 for part no. of lead wire with connector.

## Caution

When using AC, the DC solenoids are operated via a rectifier. Therefore, make sure to combine the connector assembly equipped with a rectifier with the exclusive solenoids.

Using other combinations could lead to burned coils or other malfunctions.



### Release flow rate adjusting needle

Nil	Without lock nut
L	With lock nut

### Unit specifications

Nil	With unit switching function <sup>(1)</sup>
M	SI unit only <sup>(2)</sup>

Note 1) This is no longer sold for use in Japan due to the Weight and Measure Act (implemented October, 1999).

Note 2) Fixed unit: kPa

### Digital vacuum switch specifications (D1, D2, D3)

Symbol	Output specifications	Lead wire length	Applicable switch
25(L)	NPN output	Lead wire length 0.6 (3.0) m	D1 D2
26(L)	Analog output	Lead wire length 0.6 (3.0) m	
65(L)	PNP output	Lead wire length 0.6 (3.0) m	D3
27(L)	NPN output	Lead wire length 0.6 (3.0) m	
26(L)	Analog output	Lead wire length 0.6 (3.0) m	
67(L)	PNP output	Lead wire length 0.6 (3.0) m	

### Vacuum switch electrical entry (E)

Nil	Grommet	Lead wire length 0.6 m
L	type	Lead wire length 3.0 m
C	Connector	Lead wire length 0.6 m
CL	type	Lead wire length 3.0 m
CN		W/o lead wire

\* Refer to page 941 for part no. of lead wire with connector.

### Combination of vacuum switch/Suction filter

	Specifications	
D1	Digital *	LCD display
D2	vacuum switch (ZSE4) + Filter	LCD display with backlight
D3		LED display
E	vacuum switch	NPN output
E55	(ZSE2) + Filter	PNP output
F		Filter

\* Select the digital vacuum switch output specification in accordance with the digital vacuum switch specifications (D1, D2 and D3).

### Manual override

Nil	Non-locking push type
B	Slotted locking type

### Light/Surge voltage suppressor

Nil	None
Z	With light/surge voltage suppressor (Possible only solenoid valve connector type.)
S	With surge voltage suppressor

\* S is not available for AC.

DC voltage (with surge voltage suppressor) If the polarity is incorrect at DC (surge voltage suppressor), diode or switching element may be damaged.

**Table (1) Combination of Supply Valve and Release Valve**

Valve unit function			Valve unit components		Symbol	Supply valve				Release valve			
Operation stop	Vacuum adsorption	Vacuum release	Supply valve	Release valve		Solenoid valve			Air operated (VJA3130)	Solenoid valve			Air operated (VJA3130)
						Double SOL. (VJ3233-X17)	Double SOL. (VJ3233-X18)	N.C. (VJ3133)		Double SOL. (VJ3233-X17)	Double SOL. (VJ3233-X18)	N.C. (VJ3133)	
☉	☉	○	Double SOL. (VJ3233-X17)	N.C. (VJ3133)	<b>K1</b>	●	—	—	—	—	—	●	—
○	○	○	N.C. (VJ3133)	N.C. (VJ3133)	<b>K2</b>	—	—	●	—	—	—	●	—
○	○	○	Air operated (VJA3130)	Air operated (VJA3130)	<b>K3</b>	—	—	—	●	—	—	—	●
×	○	○	N.C. (VJ3133)		<b>C1</b>	—	—	●	—	—	—	(Common with supply valve)	—
×	○	○	Air operated (VJA3130)		<b>C2</b>	—	—	—	●	—	—	—	(Common with supply valve)
×	○	○	N.O. (VJ3133)		<b>C3</b>	—	—	●	—	—	—	(Common with supply valve)	—
×	☉	☉	Double SOL. (VJ3233-X18)		<b>C4</b>	—	●	—	—	—	(Common with supply valve)	—	—
<small>☉: Possible ○: Possible with limitations (without self-holding function) ×: Not possible</small>					<b>Nil</b>	Without valve module							

**Table (2) How to Order Valve Plug Connector Assembly**

DC	<b>VJ10 - 20 - 4A</b> - □
100 VAC (with rectifier)	<b>VJ10 - 36 - 1A</b> - □
110 VAC (with rectifier)	<b>VJ10 - 36 - 3A</b> - □

Lead wire length	
Nil	300 mm (Standard)
6	600 mm
10	1000 mm
15	1500 mm
20	2000 mm
25	2500 mm
30	3000 mm

**How to order**

When requiring a vacuum unit equipped with valves with lead wires of 600 mm or more, specify the vacuum module valves without the standard connectors and order the required connector ass'ys separately.

Example) ZR120S1-K15M□Z-EC ..... 1 pc.  
\* VJ10-20-4A-6 ..... 3 pcs.

**Table (3) Vacuum Switch/Lead Wire with Connector**

<b>ZS - 10 - 5A</b> - □
-------------------------

Lead wire length	
Nil	0.6 m
30	3 m
50	5 m

**How to order**

When requiring a vacuum switch with a lead wire of 5 m, indicate the part numbers of the vacuum unit switch without a lead wire connector and the 5 m lead wire connector separately.

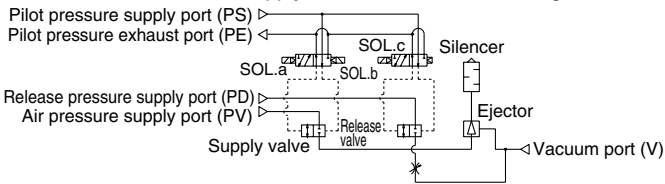
Example) ZR1□□□-□□□□□-□CN ..... 1 pc.  
\* ZS-10-5A-50 ..... 1 pc.

- ZA
- ZX
- ZR**
- ZM
- ZMA
- ZQ
- ZH
- ZU
- ZL
- ZY□
- ZF□
- ZP□
- SP
- ZCUK
- AMJ
- AMV
- AEP
- HEP
- Related Equipment

## Ejector System/Combination of Supply Valve and Release Valve

### Combination Symbol: **K1**

Feature: Double solenoid supply valve allows for self-holding.

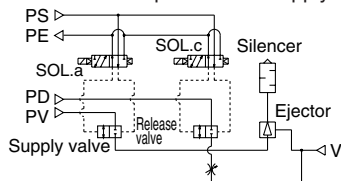


#### How to Operate

Operation	Pilot valve operation			Note
	Supply valve	Release valve		
1. Adsorption	SOL.a	SOL.b	SOL.c	When power supply is cut off while the supply valve is ON, the operational state is held.
2. Vacuum release	OFF	ON	ON	
3. Operation stop	OFF	ON	OFF	

### Combination Symbol: **K2**

Feature: Single solenoid valve is provided for supply valve.

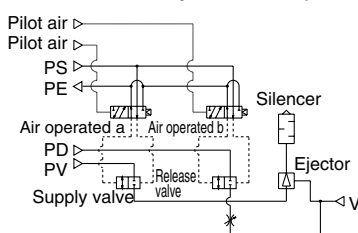


#### How to Operate

Operation	Pilot valve operation		Note
	Supply valve	Release valve	
1. Adsorption	SOL.a	OFF	When power supply is stopped, all operations will be stopped.
2. Vacuum release	OFF	ON	
3. Operation stop	OFF	OFF	

### Combination Symbol: **K3**

Feature: Operation can be controlled by an external pilot valve.



#### How to Operate

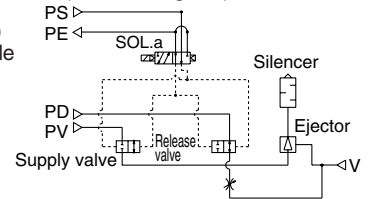
Operation	Pilot valve operation		Note
	Supply valve	Release valve	
1. Adsorption	Air operated a	OFF	The product is used under the environment in which solenoid valves cannot be used or when the centralized control is applied using external pilot air.
2. Vacuum release	OFF	ON	
3. Operation stop	OFF	OFF	

### ⚠ Caution

When pipe connection is made to one port connection (PV port) only, use a function plate (ZR1-RV1). Refer to page 943 for further information.

### Combination Symbol: **C1**

Feature: Adsorption of workpieces (when energized) and release of vacuum (when de-energized) are switched by single solenoid valve.

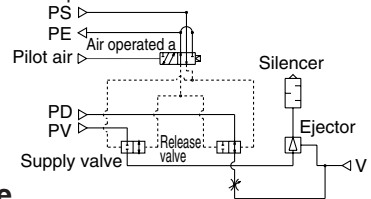


#### How to Operate

Operation	Pilot valve operation		Note
	Supply valve/Release valve		
1. Adsorption	SOL.a		Be careful for blowing off of workpieces or displacement of adsorption position in case of small and/or lightweight workpieces.
2. Vacuum release	OFF		

### Combination Symbol: **C2**

Feature: Adsorption of workpieces and release of vacuum are switched by external pilot valve.

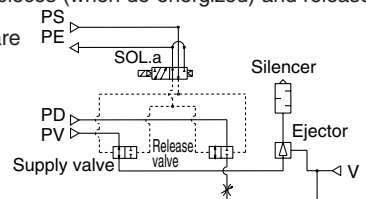


#### How to Operate

Operation	Pilot valve operation		Note
	Supply valve/Release valve		
1. Adsorption	Air operated a		Be careful for blowing off of workpieces or displacement of adsorption position in case of small and/or lightweight workpieces.
2. Vacuum release	OFF		

### Combination Symbol: **C3**

Feature: Adsorption of workpieces (when de-energized) and release of vacuum (when energized) are switched by single solenoid valve.

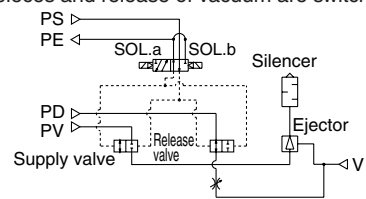


#### How to Operate

Operation	Pilot valve operation		Note
	Supply valve/Release valve		
1. Adsorption	SOL.a	OFF	Be careful for blowing off of workpieces or displacement of adsorption position in case of small and/or lightweight workpieces.
2. Vacuum release	OFF	ON	

### Combination Symbol: **C4**

Feature: Adsorption of workpieces and release of vacuum are switched by double solenoid valve.



#### How to Operate

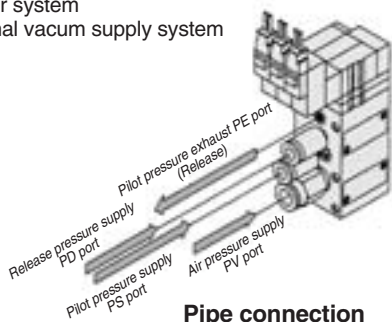
Operation	Pilot valve operation		Note
	Supply valve/Release valve		
1. Adsorption	SOL.a	SOL.b	When power supply is stopped, supply valve/ release valve will hold the operation.
2. Vacuum release	OFF	ON	

**Function Plate/ZR1-RV□**

A function plate is used when each connecting port for the valve unit is common. If a function plate is not used (standard), make individual pipe connections to PV, PS, and PD ports respectively.

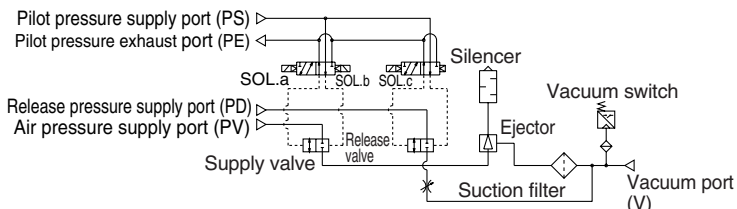
**Without Function Plate (Standard)**

Applicable system: Ejector system  
External vacuum supply system



Pipe connection

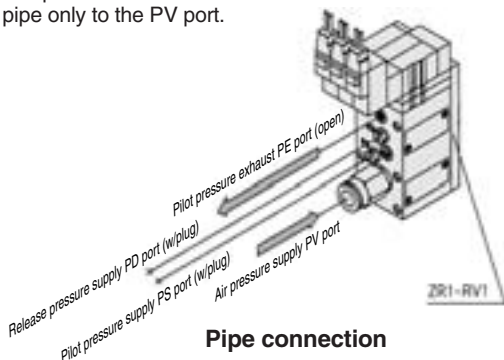
**Circuit diagram**



**With Function Plate/Applicable to Ejector System Only**

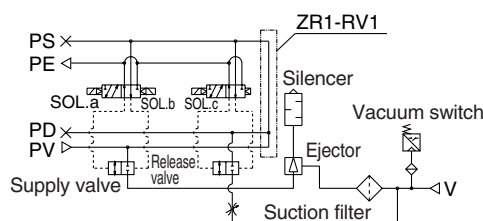
**When ZR1/RV1 (PV↔PS↔PD) is Selected**

Since PV, PS and PD ports are made common via the function plate, pipe only to the PV port.



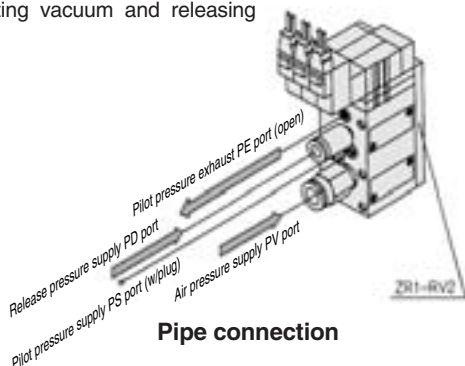
Pipe connection

**Circuit diagram**



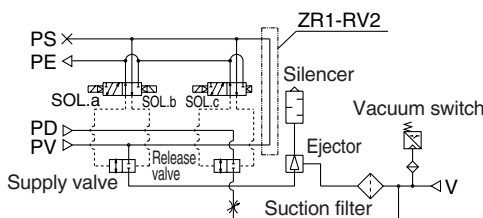
**When ZR1/RV2 (PV↔PS/PD) is Selected**

Supply air for generating vacuum and releasing vacuum respectively.



Pipe connection

**Circuit diagram**



**How to Order Function Plate Unit (For Ejector System)**

**ZR1 - RV 1**

**Piping specifications**

Symbol	Indication	PV port	PS port	PD port
1	PV ↔ PS ↔ PD	Common		
2	PV ↔ PS/PD	Common	Individual	

**How to order**

Indicate the model numbers of the vacuum module and the function plate.

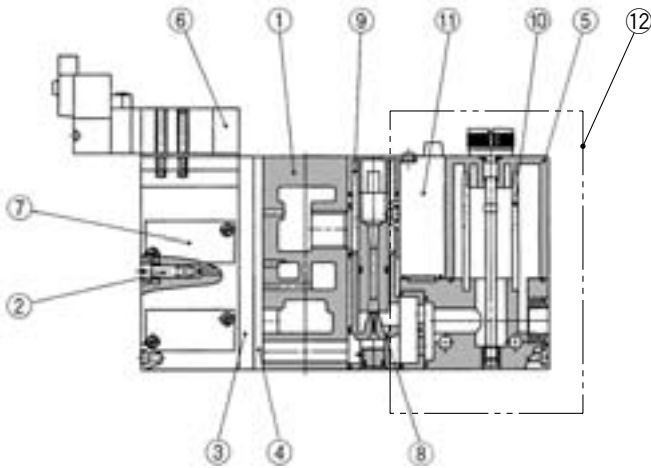
Example) ZR120S1-K15MZ-EC ..... 1 pc.  
\* ZR1-RV1 ..... 1 pc.

**Caution**

Length of assembling screw varies when adding function plate. Order from the mounting thread parts list for unit combination on page 982.  
Order a plug (M-5P) separately in order to plug the PD and PS ports that are no longer used due to the addition of function plate.

ZA  
ZX  
ZR  
ZM  
ZMA  
ZQ  
ZH  
ZU  
ZL  
ZY□  
ZF□  
ZP□  
SP  
ZCUK  
AMJ  
AMV  
AEP  
HEP  
Related Equipment

## Construction



### Component Parts

No.	Description	Material	Note
①	<b>Manifold base</b>	Aluminum	
②	<b>Release flow rate adjusting needle</b>	Stainless steel	Refer to Note 2)
③	<b>Function plate</b>	PBT	Refer to page 962.
④	<b>Individual spacer</b>	PBT	Refer to page 962.
⑤ Note 1)	<b>Filter case</b>	Polycarbonate	(ZR1-FC-PC) (Assembly part no.: ZR1-FC-PC-AS) → Refer to page 953



Note 1) Precautions on handling the filter case

- The case is made of polycarbonate. Therefore, do not contact it or expose it to the following chemicals: paint thinner, carbon tetrachloride, chloroform, acetic ester, aniline, cyclohexane, trichloroethylene, sulfuric acid, lactic acid, water soluble cutting oil (alkalinic), etc.
- Do not expose it to direct sunlight.

Note 2) Turning the release flow rate adjusting needle 2 full turns from the fully closed position renders the needle valve fully open. Do not turn more than two times since turning excessively may cause the needle fall off.  
In order to prevent the needle from loosening and falling out, the release flow rate adjusting needle with lock nut is also available.

### Replacement Parts

No.	Description	Material	Part no.
⑥	<b>Pilot valve assembly</b>	—	Refer to (5).
⑦	<b>Valve body assembly</b>	—	Refer to (1).
⑧	<b>Ejector assembly</b>	—	Refer to (2).
⑨	<b>Silencer element</b>	PVF	Refer to (3).
⑩	<b>Filter element</b>	PVF	ZR1-FZ(30 μm)
⑪	<b>Vacuum switch</b>	—	ZSE2-OR-15-□ ZSE4□-00-□□-□-X105
⑫	<b>Filter switch unit for replacement</b>	—	ZR1-F□□-□-D

## How to Order Solenoid Valves/Air Operated Valves

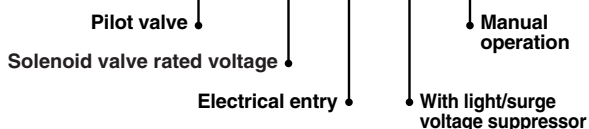
Air operated

### ZR1-VJA3130

Solenoid valve

ZR1-VJ3233 □ - 5 M Z □ - X17  
X18

ZR1-VJ3133 □ - □ - □ - □ - □



\* Refer to page 940 for detailed specifications of each code.

Note) Pilot valve gasket is included. (ZR1-PVG-1)

### (1) How to Order Valve Body Assembly

ZR1-VD K1 □ 5 M Z □ - L

Combination of supply valve and release valve

Pilot valve

Solenoid valve rated voltage

Manual operation

Release flow rate adjusting needle

With light/surge voltage suppressor

Electrical entry



\* Refer to page 940 for detailed specifications of each code.

### (2) How to Order Ejector Assembly

ZR1-WD 10 S 1

Nozzle diameter

10	1.0 mm
13	1.3 mm
15	1.5 mm
18	1.8 mm
20	2.0 mm

Ejector exhaust

1	Built-in silencer
2	Port exhaust
3	Common exhaust

Maximum vacuum pressure

S	-84 kPa
L	-53 kPa

### (3) How to Order Silencer Element

ZR1-SZ 10

Nozzle diameter

10	1.0 mm
13	1.3 mm
15	1.5 mm
18	1.8 mm
20	2.0 mm

### (4) Vacuum Switch + Suction Filter Unit

ZR1-F E L - □ - D

Unit specifications

Switch specifications

Combination of vacuum switch and suction filter



\* Refer to page 953 for detailed specifications of each code.

### (5) How to Order Pilot Valves

Combination Symbol	Components		Model
	Supply valve	Release valve	
K1	Double solenoid valve N.C. (VJ3233)	Single solenoid valve N.C. (VJ3133)	Refer to "How to Order" below. Supply: ZR1-VJ3233-□□□□-X17 Release: ZR1-VJ3133-□□□□
C4	Double solenoid valve N.O. (VJ3233)	Double solenoid valve N.O. (VJ3233)	Refer to "How to Order" below. ZR1-VJ3233-□□□□-X18
K3	Air operated N.C (VJA3130)	Air operated N.O (VJA3130)	ZR1-VJA3130



Ejector Unit/Series ZR1



Model/Max. Vacuum Pressure **-84 kPa (S: Standard type)**

Model	Nozzle dia. (mm)	Maximum suction flow rate (ℓ/min (ANR))	Air consumption (ℓ/min (ANR))	Mass (With bracket) (kg)
ZR1-W10S□	1.0	22	46	0.132
ZR1-W13S□	1.3	38	78	0.134
ZR1-W15S□	1.5	54	95	0.136
ZR1-W18S□	1.8	62	150	0.154
ZR1-W20S□	2.0	84	185	0.156

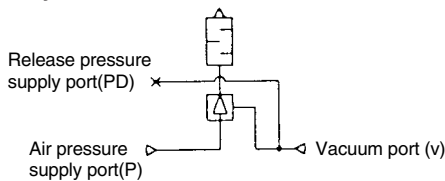
Model/Max. Vacuum Pressure **-53 kPa (L: Large flow type)**

Model	Nozzle dia. (mm)	Maximum suction flow rate (ℓ/min (ANR))	Air consumption (ℓ/min (ANR))	Mass (With bracket) (kg)
ZR1-W10L□	1.0	42	46	0.133
ZR1-W13L□	1.3	52	78	0.133
ZR1-W15L□	1.5	74	95	0.135
ZR1-W18L□	1.8	88	150	0.155
ZR1-W20L□	2.0	105	185	0.154

Common Specifications

Maximum operating pressure	0.7 MPa
Supply pressure range	0.2 to 0.55 MPa
Standard supply pressure	0.45 MPa
Operating temperature range	5 to 50°C
Model (Ejector exhaust method)*	Code 1: Built-in silencer — For unit and manifold Code 2: Individual exhaust — For unit and manifold
Standard accessory	Bracket (P3270154)

JIS Symbol



\* How to Order: Code 1 and 2 are the suffixes in the ordering number to indicate the exhaust method.  
Note) Operation outside of the specified supply pressure and operating temperature range may cause a serious accident or damage.

How to Order

ZR1-W 20 S 1

Nozzle diameter

10	1.0 mm
13	1.3 mm
15	1.5 mm
18	1.8 mm
20	2.0 mm

Ejector exhaust

1	Built-in silencer
2	Individual exhaust*

\* Port size:  
RC 1/8 (Nozzle dia. 1.0 to 1.5 mm)  
RC 1/4 (Nozzle dia. 1.8, 2.0 mm)

Maximum vacuum pressure

S	- 84 kPa
L	- 53 kPa

ZA

ZX

ZR

ZM

ZMA

ZQ

ZH

ZU

ZL

ZY□

ZF□

ZP□

SP

ZCUK

AMJ

AMV

AEP

HEP

Related Equipment

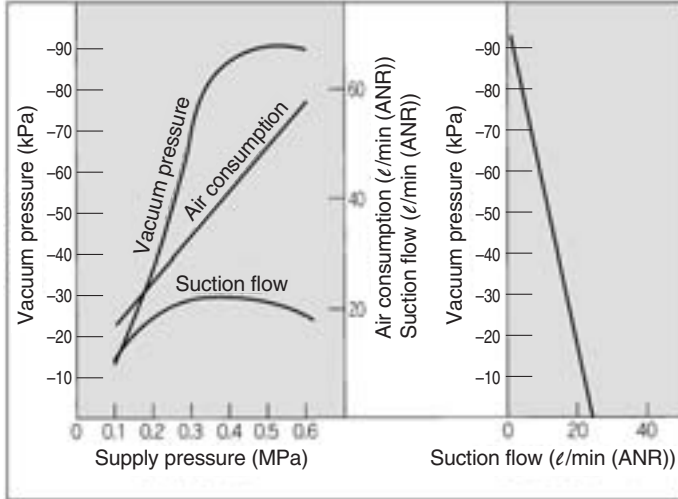
# Series ZR

## Characteristics (Representative value)

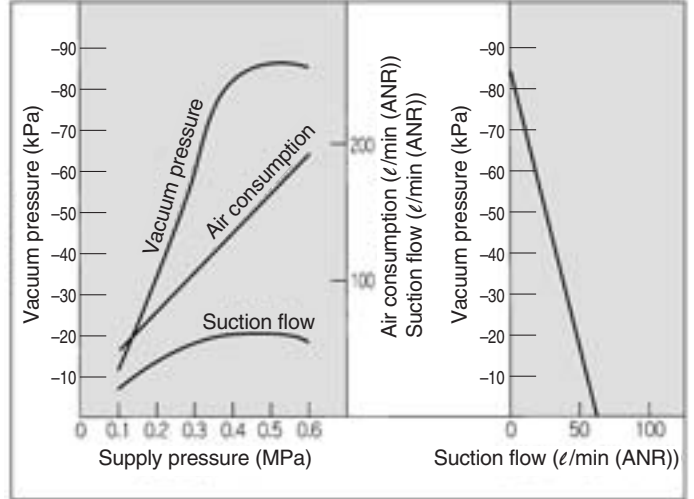
Ejector Unit/Standard Type (S): Max. Vacuum Pressure  $-84$  kPa

At 0.45 MPa

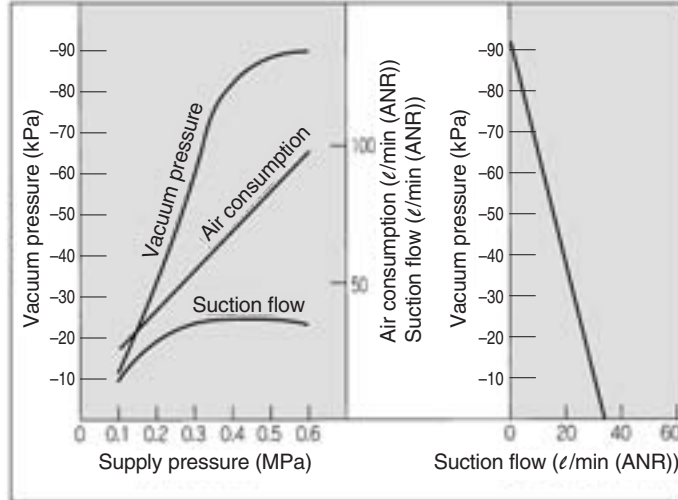
ZR1-W10S1



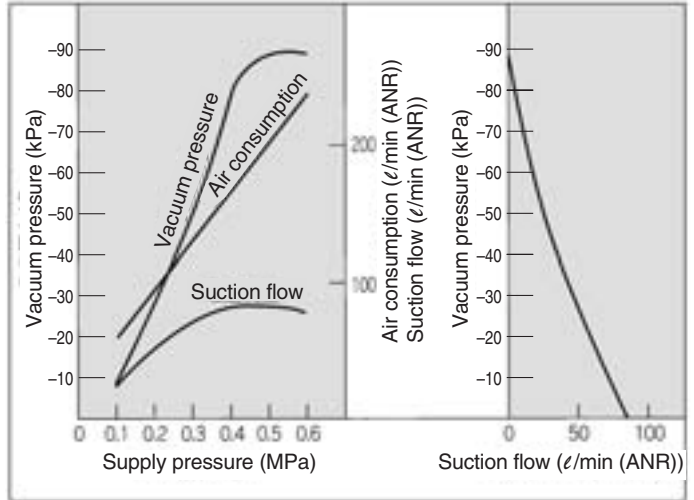
ZR1-W18S1



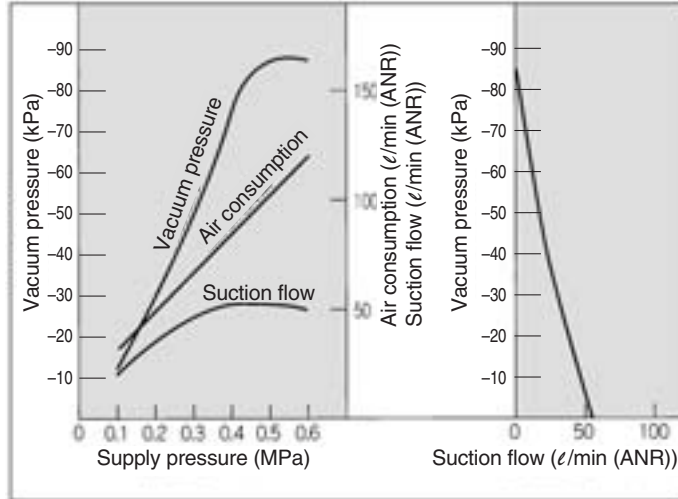
ZR1-W13S1



ZR1-W20S1



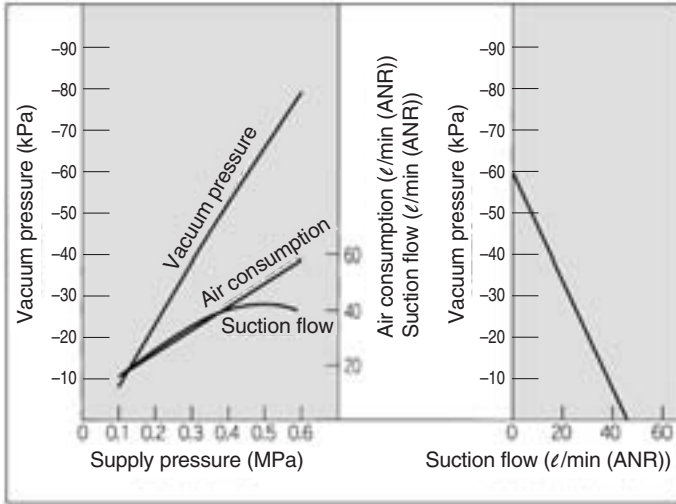
ZR1-W15S1



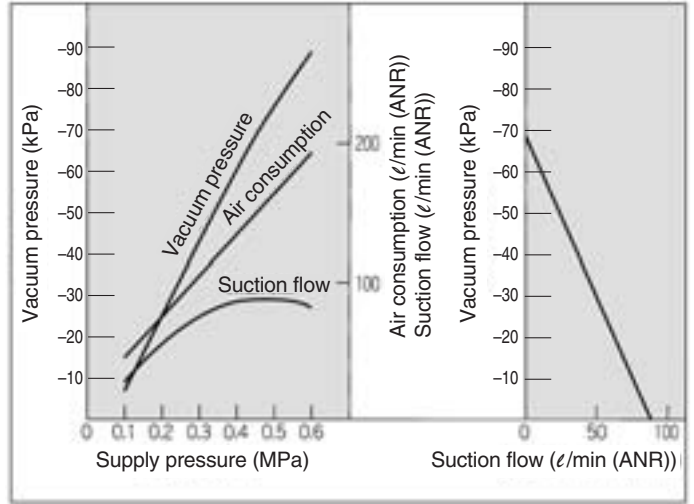
Ejector Unit/Large Flow Type (L): Max. Vacuum Pressure -53 kPa

At 0.45 MPa

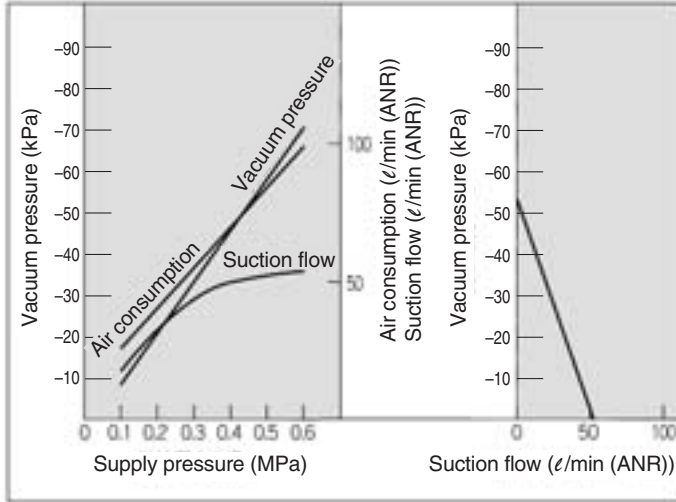
ZR1-W10L1



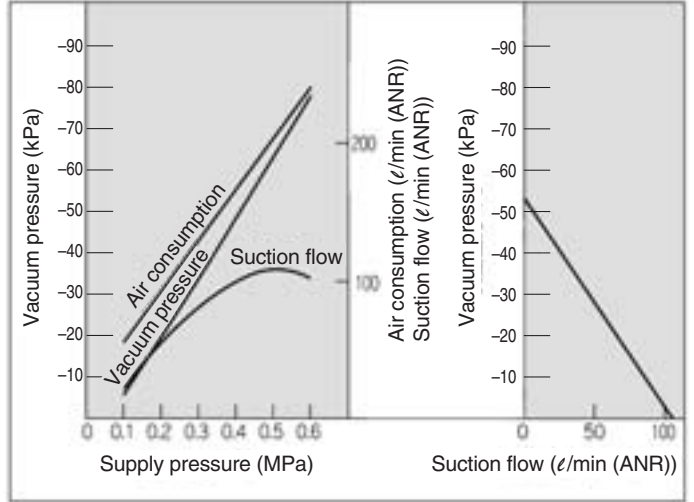
ZR1-W18L1



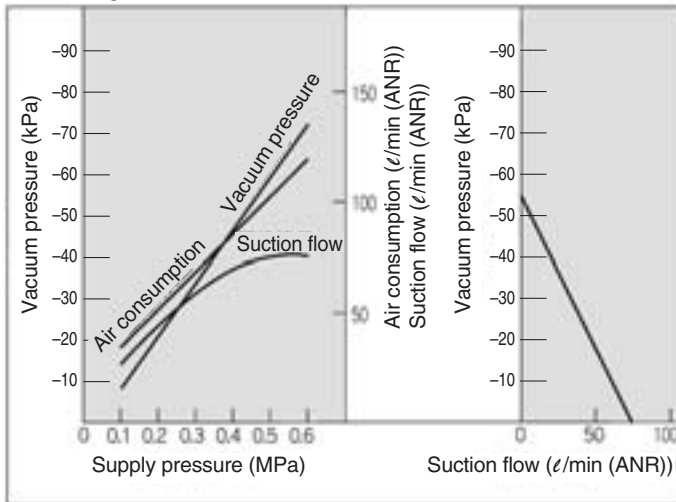
ZR1-W13L1



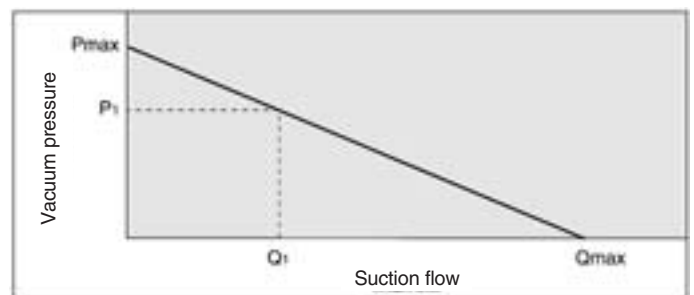
ZR1-W20L1



ZR1-W15L1



**How to Read Flow Characteristics Graph**



Flow characteristics are expressed in ejector vacuum pressure and suction flow. If suction flow rate changes, the vacuum pressure will also be changed. Normally this relationship is expressed in ejector standard use. In graph, Pmax is max. vacuum pressure and Qmax is maximum suction flow. The values are specified according to catalog use. Changes in vacuum pressure are expressed in the below order.

1. When ejector suction port is covered and made airtight, suction flow becomes 0 and vacuum pressure is at maximum value (Pmax).
2. When suction port is opened gradually, air can flow through, (air leakage), suction flow increases, but vacuum pressure decreases. (condition P1 and Q1)
3. When suction port is opened further, suction flow moves to maximum value (Qmax), but vacuum pressure is near 0 (atmospheric pressure).

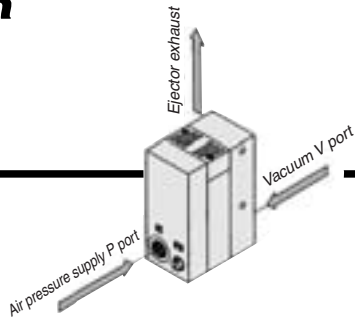
Based on the above, when vacuum port (vacuum piping) has no leakage, vacuum pressure becomes maximum, and vacuum pressure decreases as leakage increases. When leakage value is the same as max. suction flow, vacuum pressure is near 0. In the case when ventirative or leaky work should be adsorbed, please note that vacuum pressure will not rise.

- ZA
- ZX
- ZR**
- ZM
- ZMA
- ZQ
- ZH
- ZU
- ZL
- ZY□
- ZF□
- ZP□
- SP
- ZCUK
- AMJ
- AMV
- AEP
- HEP

Related Equipment

# Series ZR

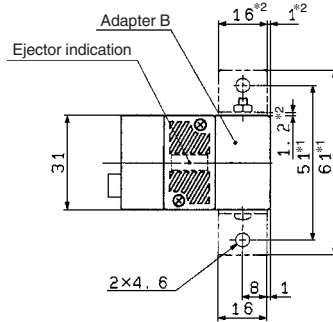
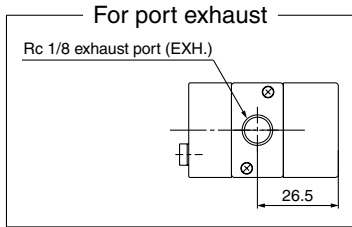
## Ejector Unit



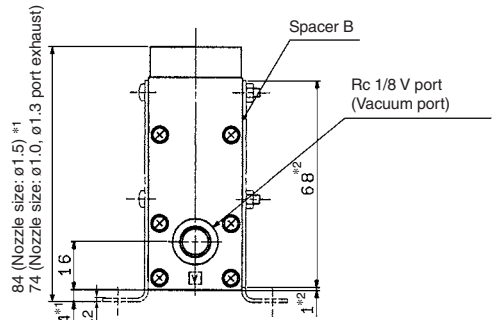
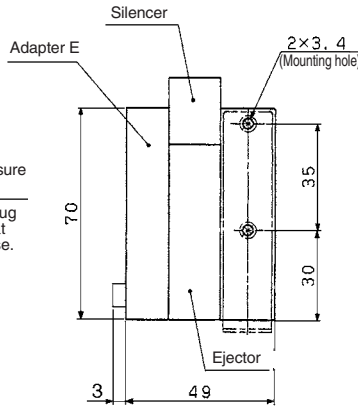
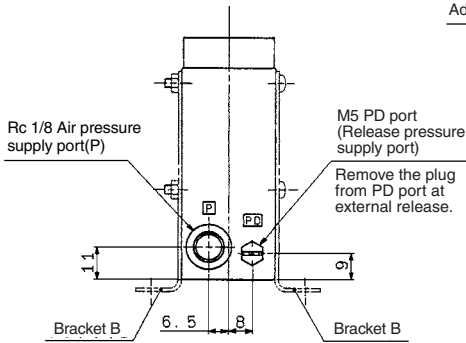
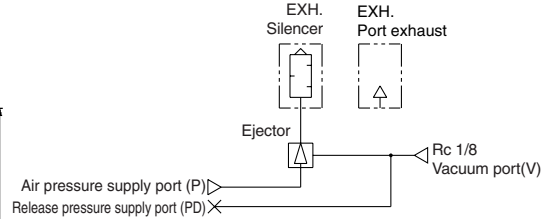
Nozzle Dia./ø1.0, ø1.3, ø1.5, ø1.8, ø2.0

Nozzle dia./ø1.0, ø1.3, ø1.5 mm

ZR1-W<sup>10</sup><sub>13</sub>□□



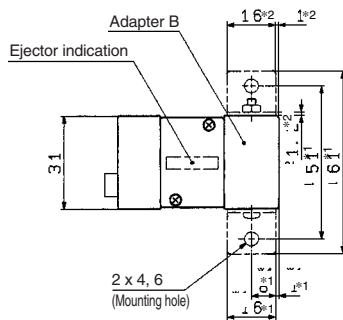
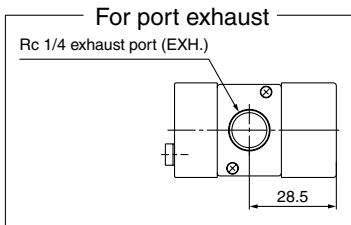
### Circuit diagram



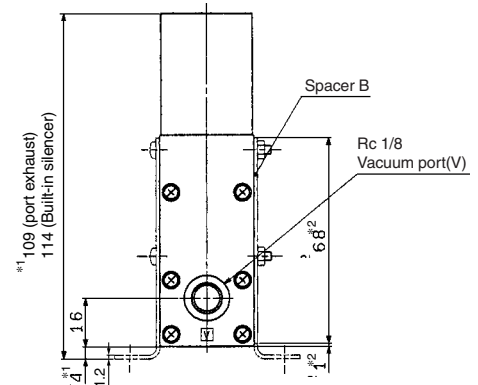
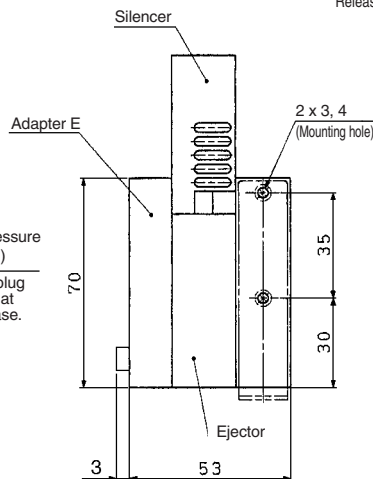
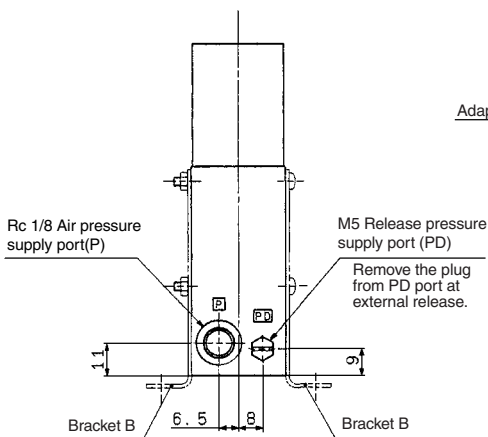
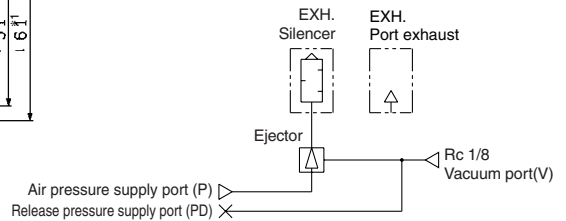
Note) \*1 Dimensions for mounting bracket B  
 \*2 Dimensions for mounting spacer B  
 Spacer B is used to leave space for maintenance (for replacement of silencer etc.) on side mounting.  
 Bracket B part no.: P3270154 (Standard accessory)  
 Spacer B part no.: P3270157

Nozzle dia./ø1.8, ø2.0 mm

ZR1-W<sup>18</sup><sub>20</sub>□□



### Circuit diagram



**Vacuum Pressure Switch Unit/Pressure Switch for Vacuum: ZSE2-0R-□□**

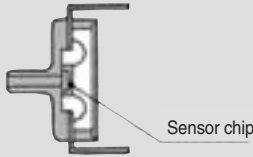
**Quick response: 10 mS**

**Compact size: 39H x 20W x 15D  
(except the connecting portion)**

**Improved wiring: Connector style**

**Uses a carrier diffusion semiconductor pressure sensor**

**Pressure detector**  
(A carrier diffusion semiconductor pressure sensor is used.)



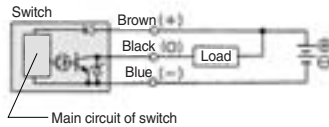
**Specifications**

Vacuum pressure switch part no.	ZSE2-0R-15□	ZSE2-0R-55□
Fluid	Air	
Setting pressure range	-101 to 0 kPa	
Hysteresis	3% F.S. or less (Fixed)	
Temperature characteristics (Based on 25°C)	± 3% F.S. or less	
Operating voltage	12 to 24 VDC (Ripple ±10% or less)	
Output	NPN Open collector 30 V, 80 mA	PNP Open collector 80 mA
Indicator light	Lights up when ON	
Current consumption	17 mA or less (when 24 VDC is ON)	
Proof pressure (Max. operating pressure)	0.5 MPa*	
Operating temperature range	5 to 50°C	

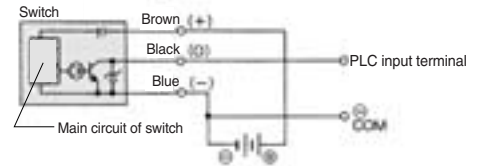
\* When using ejector system, instantaneous pressure up to 0.5 MPa will not damage the switch.  
Note) Operation outside of the maximum operating pressure and operating temperature range may cause a serious accident or damage.

**Wiring**

**ZSE2 connection**



**Connection with PLC at negative COM terminal**



**How to Order**

**ZSE2 - 0R - 15 L**

**Output specifications**

15	NPN Open collector 30V 80mA
55	PNP Open collector 80mA

**Piping specifications**

Nil	Grommet type	Lead wire length 0.6 m
L		Lead wire length 3 m
C	Connector type	Lead wire length 0.6 m
CL		Lead wire length 3 m
CN		W/o lead wire

**With Connector/How to Order**

- Without lead wire (housing and 3 sockets) ..... ZS-10-A
- With lead wire ..... ZS-10-5A-□

**Lead wire length**

Nil	0.6 m
30	3 m
50	5 m

Note) When requiring a switch with lead wire of 5 m, indicate separately the model numbers of the connector type switch without lead wire and the connector assembly with 5 m lead wire.

Example) ZSE2-0R-15CN ..... 1 pc.  
ZS-10-5A-50 ..... 1 pc.



\* Refer to Best Pneumatics No. 6 for detailed specifications of pressure switches.

ZA

ZX

ZR

ZM

ZMA

ZQ

ZH

ZU

ZL

ZY□

ZF□

ZP□

SP

ZCUK

AMJ

AMV

AEP

HEP

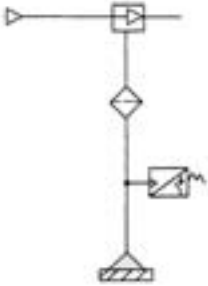
Related Equipment

## Vacuum Pressure Switch Unit/Pressure Switch for Vacuum: ZSE2-0R-□□

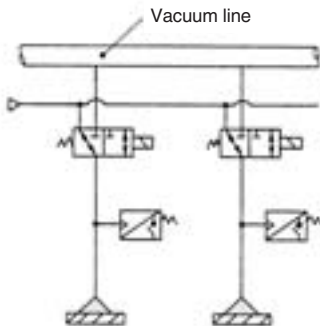
### Guidelines for Use of Vacuum Pressure Switch Unit

#### System circuit for work adsorption

Ejector style

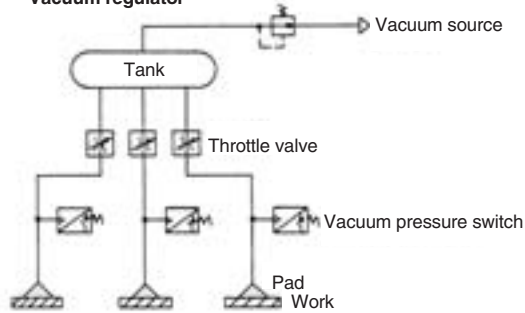


Vacuum pump style



When pads and switches are common to one vacuum source, sometimes there is a possibility, depending on the number of adsorption and non-adsorption applications at each point in time, that the switches will not work within the range of set pressures due to pressure variations from the vacuum source. In particular, when small diameter nozzles are used for adsorption, the switches are greatly influenced by pressure variations. In order to remedy this situation, the following circuit is recommended.

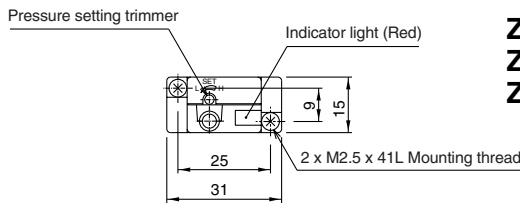
Vacuum regulator



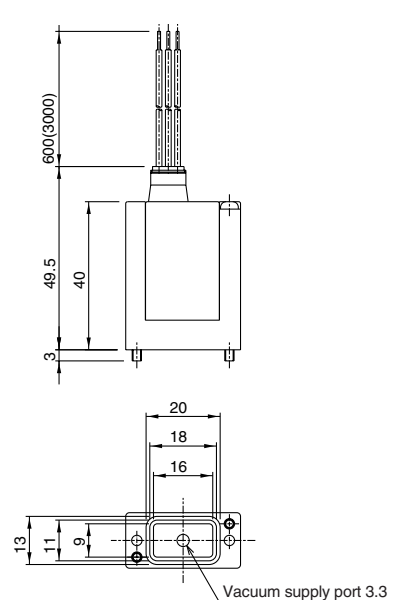
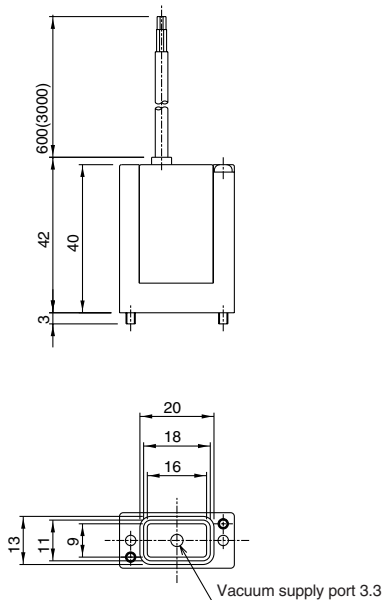
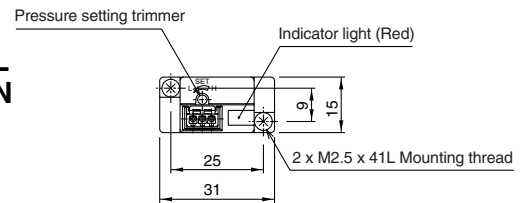
- Adjust the throttle valve to reduce the pressure fluctuation between absorption and non-absorption.
- Stabilize the source pressure by providing a tank and a vacuum regulator.
- If a vacuum switch valve is inserted into individual lines and false absorption occurs, each valve should be turned OFF to minimize the influences on other pads.

### Vacuum Pressure Switch: ZSE2-0R-□□

ZSE2-0R-□  
ZSE2-0R-□L

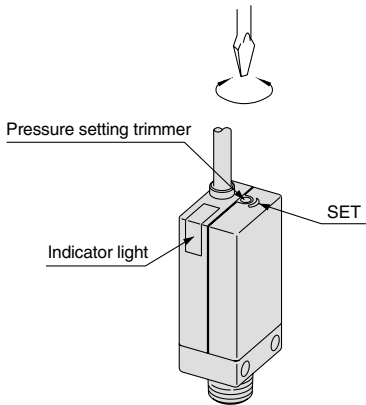


ZSE2-0R-□C  
ZSE2-0R-□CL  
ZSE2-0R-□CN

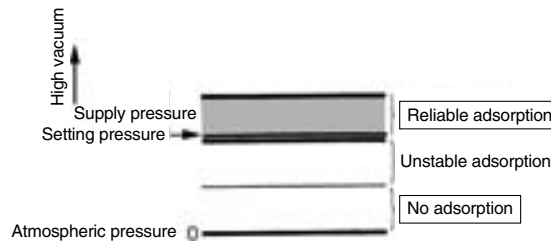


## How to Set Vacuum Pressure

- Pressure trimmer selects the ON pressure. Clockwise rotation increases high vacuum set point.

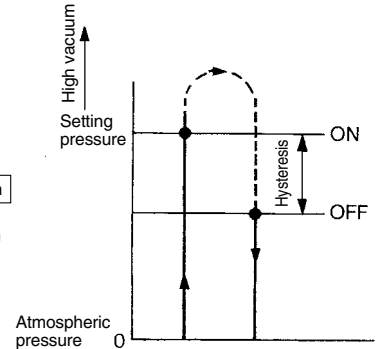


- When using the switch to confirm correct adsorption, the vacuum pressure is set to the minimum value to reliably adsorb. If the value is set below the minimum, the switch will be turned ON even when adsorption has failed or is insufficient. If the pressure is set too high, the switch may not operate stably even though it may adsorb correctly.



## Hysteresis

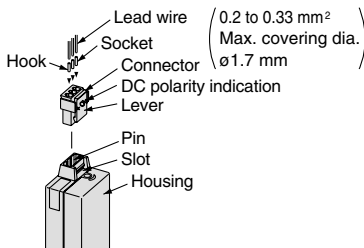
Hysteresis is the actual pressure variance from set pressure occurring when the output signal turns from ON to OFF. The set pressure is the pressure selected to switch from OFF to ON mode.



## How to Use Connector

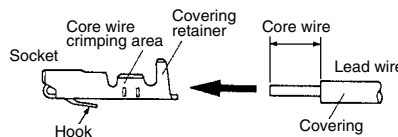
### 1. Attaching and detaching connectors

- When assembling the connector to the switch housing, push the connector straight onto the pins until the level locks into the housing slot.
- When removing the connector from the switch housing, push the lever down to unlock it from the slot and then withdraw the connector straight off of the pins.



### 2. Crimping of lead wires and sockets

Strip 3.2 to 3.7 mm at the end of the lead wires, insert the ends of core wires evenly into the sockets, and then crimp with a crimping tool. When this is done, take care that the coverings of the lead wires do not enter the core wire crimping area. (Crimping tool: model no. DXT170-75-1)



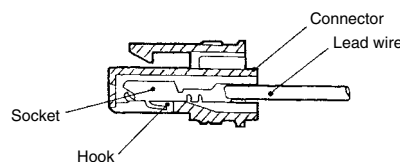
### 3. Attaching and detaching of socket to connector with lead wire

#### • Attaching

Insert the sockets into the square holes of the connector (with +, 1, 2, - indication), and continue to push the sockets all the way end. (When they are pushed in their hooks open and they are locked automatically.) Then confirm that they are locked by pulling lightly on the lead wires.

#### • Detaching

To detach a socket from a connector, pull out the lead wire while pressing the socket's hook with a stick having a thin tip (about 1 mm). If the socket will be used again, first spread the hook outward.



## Precautions

**Be sure to read before handling. Refer to front matters 38 and 39 for Safety Instructions and pages 844 to 846 for Vacuum Equipment Precautions.**

## Mounting

### Warning

1. Do not give an excessive impact load.  
Do not drop, bump or apply excessive impact (1000 m/s<sup>2</sup>) when handling. Even if the switch body is not damaged, the switch may suffer internal damage that will lead to malfunction.
2. Hold the product from the body side when handling.  
When raising and moving the product, do not raise it by holding the lead wire only, but hold the body. It may cause malfunction due to broken contacts.

ZA
ZX
ZR
ZM
ZMA
ZQ
ZH
ZU
ZL
ZY□
ZF□
ZP□
SP
ZCUK
AMJ
AMV
AEP
HEP

Related Equipment

## Vacuum Pressure Switch Unit/Pressure Switch for Vacuum: ZSE4-00-□□-□-X105

### Digital Vacuum Switch Specifications: Series ZSE4

#### Digital Vacuum Pressure Switch

Part no.	ZSE4-00-□□-□-X105	ZSE4B-00-□□-□-X105	ZSE4E-00-□□-□-X105
Display	LCD	LCD with backlight	LED
Pressure setting range	-101 to 0 kPa		-101 to 10 kPa
Maximum operating pressure	200 KPa		
Operation indicator light (Lights up when ON)	Green		OUT1: Green OUT2: Red
Response frequency	200 Hz (5 ms)		
Hysteresis	Hysteresis mode	Variable (3 digits or more)	
	Window comparator mode	Fixed (3 digits)	
Fluid	Air, Non-corrosive gas		
Temperature characteristics	±3% F.S. or less		
Repeatability	±1% F.S. or less		
Operating voltage	12 to 24 VDC (Ripple ±10% or less)		
Current consumption	25 mA or less	45 mA or less	-26, -27: 50 mA or less -67: 60 mA or less
Pressure indication	3½ digits (Letter height 8 mm)		
Self-diagnostic function	Over current <sup>(1)</sup> , Over pressure, Data error, Confirmation of pressure at zero clear		
Operating temperature range	0 to 50°C (With no condensation)		
Noise resistance	500 Vp-p, Pulse width: 1 m S, Start up: 1 nS		
Withstand voltage	1000 VAC <sup>(50/60 Hz)</sup> for 1 min. between lead wires and body		
Insulation resistance	2 MΩ (at 500 VDC) between lead wires and body		
Vibration resistance	2 hrs. each in X, Y, Z directions at smaller of 10 to 500 Hz with amplitude 1.5 mm, or acceleration 980 m/s <sup>2</sup>		
Impact resistance	980 m/s <sup>2</sup> G in X, Y, Z directions, 3 times each		

Note) Not available on analog output type.

#### Output Specifications

ZSE4 ZSE4B	-25 (L)	1 output NPN open collector 30 V, 80 mA or less
	-26 (L)	Analog output (1 to 5 V)
	-65 (L)	1 output PNP open collector 80 mA or less
ZSE4E	-26 (L)	Analog output (1 to 5 V)
	-27 (L)	2 outputs NPN open collector 30 V, 80 mA or less
	-67 (L)	2 outputs PNP open collector 80 mA or less



**Vacuum Switch + Suction Filter Unit: ZR1-F□□□**

Combination unit of vacuum pressure switch for vacuum pressure detection and suction filter to protect the unit from dust and contamination.



**Filter case**

**⚠ Caution**

- The case is made of polycarbonate. Therefore, do not contact it or expose it to the following chemicals: paint thinner, carbon tetrachloride, chloroform, acetic ester, aniline, cyclohexane, trichloroethylene, sulfuric acid, lactic acid, water soluble cutting oil (alkalinic), etc.
- Do not expose it to direct sunlight.

**Specification**

Unit no.		ZR1-F□□□
Suction filter	Operating pressure range	Vacuum to 100 kPa
	Operating temperature range	5 to 50°C
	Filtration degree	30 μm
Filtration material		PVF
Vacuum pressure switch		Refer to page 949 and 952 regarding vacuum switch.
Standard option		Bracket A (P3270153)

Note) If not operated within the specified range of pressure and temperature, trouble may be caused.

**Combination of Vacuum Switch and Suction Filter**

Combination symbol	Suction filter	Vacuum switch	Weight (with bracket A) (kg)
E	●	ZSE2	0.15
D	●	ZSE4	0.15
F	●	—	0.15

**How to Order**

**ZR1 - F E L - □**

**Combination of vacuum switch + suction filter**

Nil	Specification	
D1	Digital vacuum switch*	LCD display
D2	(ZSE4) + Filter	LCD display with backlight
D3	(ZSE4) + Filter	LED display
E	Vacuum switch	NPN output
E55	(ZSE2) + Filter	PNP output
F	Filter	

**Unit specifications**

Nil	With unit switching function (1)
M	SI unit only (2)

Note 1) This is no longer sold for use in Japan due to the Weight and Measure Act (implemented October, 1999).  
Note 2) Fixed unit: kPa

- \*Select the digital vacuum switch output specification in accordance with the digital vacuum switch specifications (D1, D2 and D3).
- \*The filter mounted on the product is a simplified one. When used in an environment with a lot of dust, the built-in filter is likely to be clogged soon. The use with the ZFA, ZFB and ZFC series is recommended.

**How to order**

When requiring a switch with lead wire of 5 m, indicate separately the model numbers of a vacuum switch unit without a lead wire connector and the 5 m lead wire connector.

Ex.) ZR1□□□-□□□□□-□CN ..... 1 pc.  
ZS-10-5A-50 ..... 2 pcs.

**(1) Lead wire length for vacuum switch connector assembly**

**ZS - 10 - 5A - □**

Nil	Lead wire length
Nil	0.6 m
30	3 m
50	5 m

**Digital vacuum switch specifications (D1, D2, D3)**

Symbol	Output specifications	Lead wire length	Applicable switch
25 (L)	NPN output	Lead wire length 0.6 (3.0) m	D1 D2
26 (L)	Analog output	Lead wire length 0.6 (3.0) m	
65 (L)	PNP output	Lead wire length 0.6 (3.0) m	
27 (L)	NPN output	Lead wire length 0.6 (3.0) m	D3
26 (L)	Analog output	Lead wire length 0.6 (3.0) m	
67 (L)	PNP output	Lead wire length 0.6 (3.0) m	

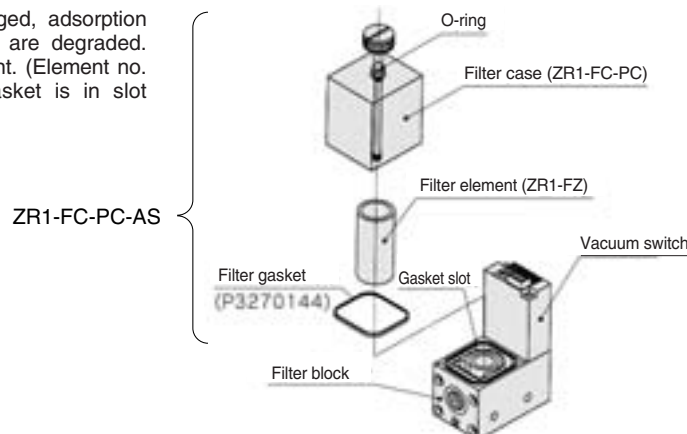
**Vacuum switch electrical entry (E)**

Nil	Grommet type	Lead wire length 0.6 m
L	Grommet type	Lead wire length 3.0 m
C	Connector type	Lead wire length 0.6 m
CL		Lead wire length 3.0 m
CN		W/o lead wire

\* Refer to "Table (1)" for part numbers for lead wire with connector.

**How to Replace Elements**

When an element becomes clogged, adsorption performance and response times are degraded. Stop operation and replace element. (Element no. ZR1-FZ). Please ensure that gasket is in slot before re-installation.



- ZA
- ZX
- ZR
- ZM
- ZMA
- ZQ
- ZH
- ZU
- ZL
- ZY□
- ZF□
- ZP□
- SP
- ZCUK
- AMJ
- AMV
- AEP
- HEP
- Related Equipment

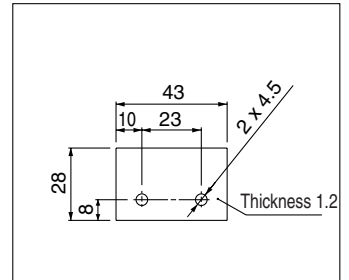
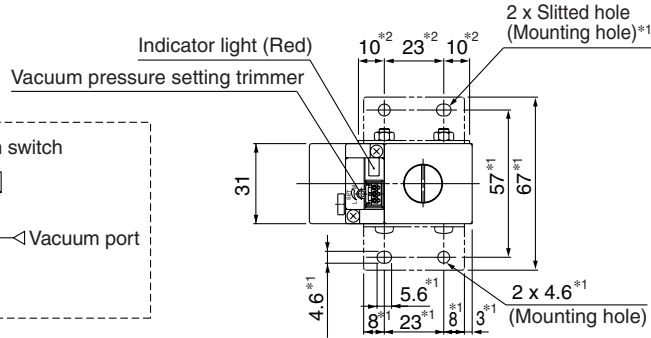
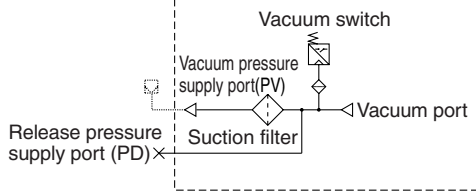
# Series ZR

## Vacuum Switch + Suction Filter Unit: ZR1-F□□-□

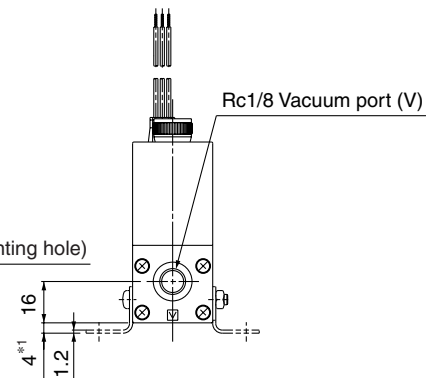
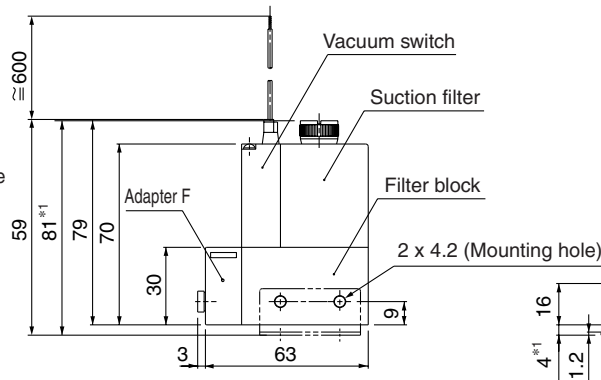
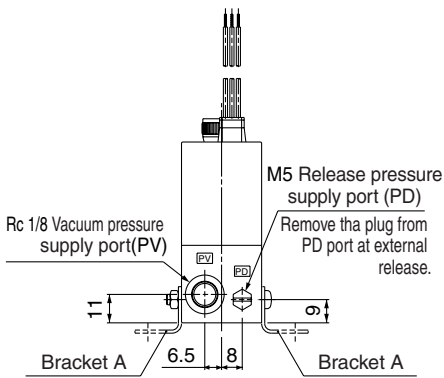
### Dimensions: ZR1-F□□-□

#### Circuit diagram

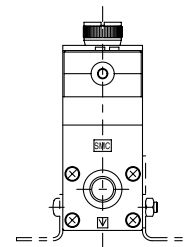
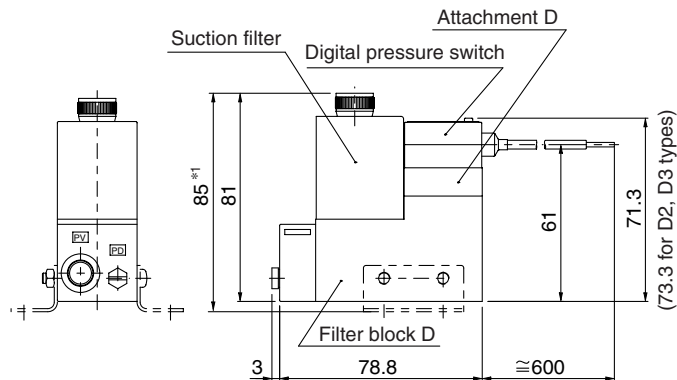
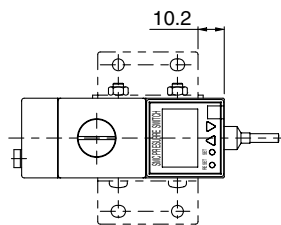
#### ZR1-FE□□-□



Spacer A is used to leave space for maintenance (for replacement of filter element etc.) on side mounting.



#### ZR1-FD□□-□



Note \* 1 Dimensions for mounting bracket A \* 2 Dimensions for mounting spacer A  
 Bracket A part no. : P3270153 (Standard accessory)  
 Spacer A part no. : P3270156

**Suction Filter: ZR1-FX**

ZR1-FX is to be used alone and cannot be combined with other units.



**Specification**

Model	ZR1-FX
Operating pressure range	Vacuum to 0.5 MPa
Operating temperature range	5 to 50°C
Filtration efficiency	30 μm
Element	PVF
Mass (With bracket)	0.1 kg



Note) If not operated within the specified range of pressure and temperature, trouble may be caused.

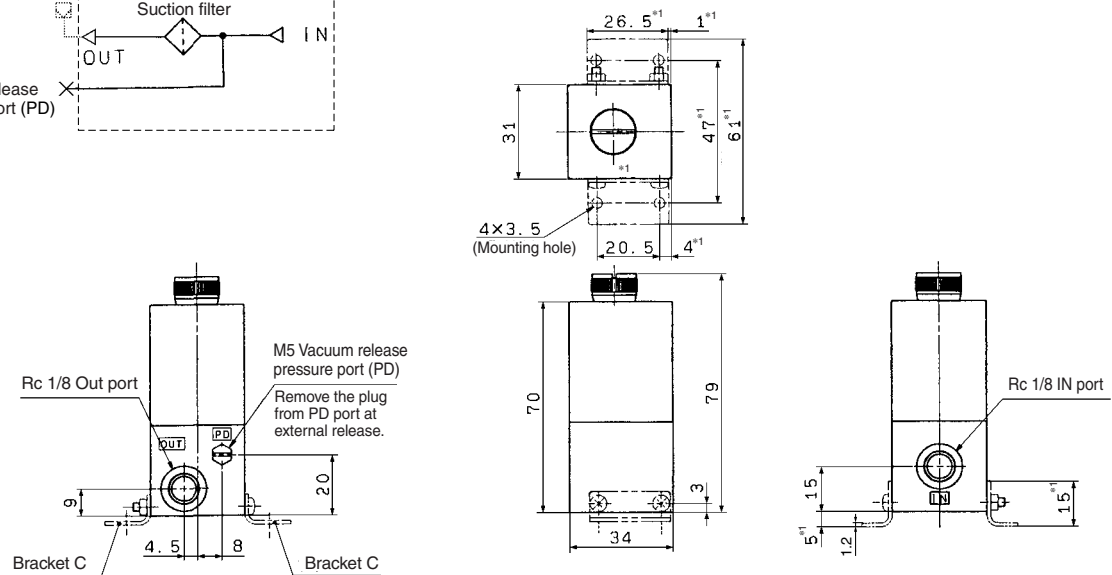
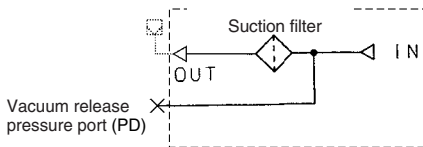
**Filter case**

**⚠ Caution**

1. The case is made of polycarbonate. Therefore, do not use it with or expose it to the following chemicals: paint thinner, carbon tetrachloride, chloroform, acetic ester, aniline, cyclohexane, trichloroethylene, sulfuric acid, lactic acid, water soluble cutting oil (alkalinic), etc.
2. Do not expose it to direct sunlight.

**Dimensions: ZR1-FX**

**Circuit diagram**

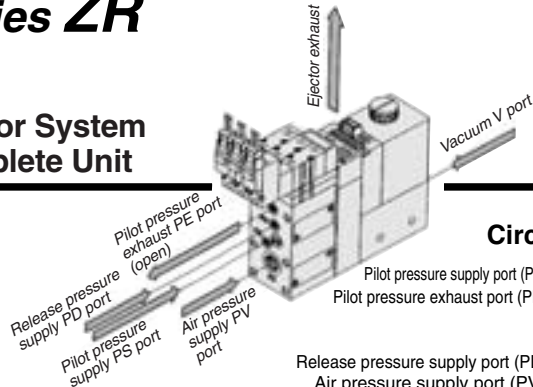


Note) \*1 Dimensions for mounting bracket C  
Bracket C part no. : P3270155 (Standard accessory)

- ZA
- ZX
- ZR**
- ZM
- ZMA
- ZQ
- ZH
- ZU
- ZL
- ZY□
- ZF□
- ZP□
- SP
- ZCUK
- AMJ
- AMV
- AEP
- HEP
- Related Equipment

# Series ZR

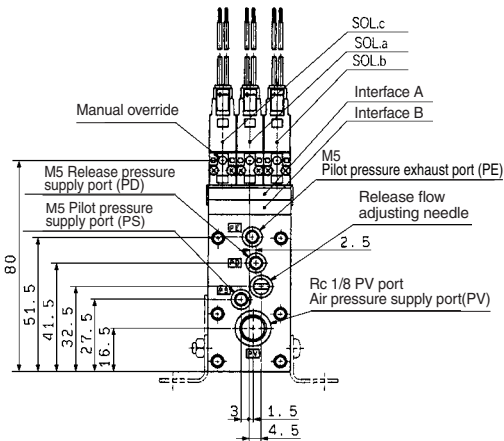
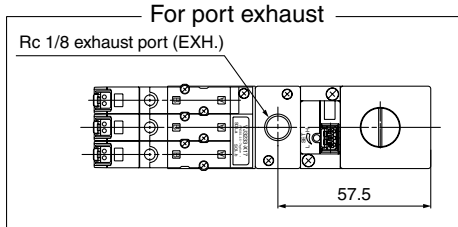
## Ejector System Complete Unit



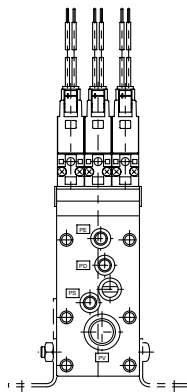
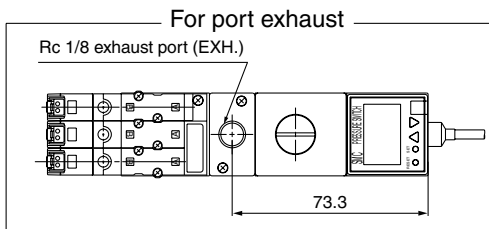
## <Components> Ejector + Valve + Vacuum Switch + Filter

Nozzle dia.  $\phi 1.0, \phi 1.3, \phi 1.5$

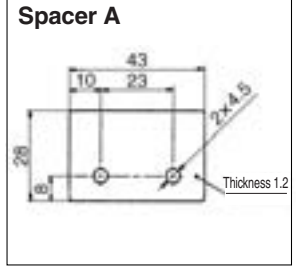
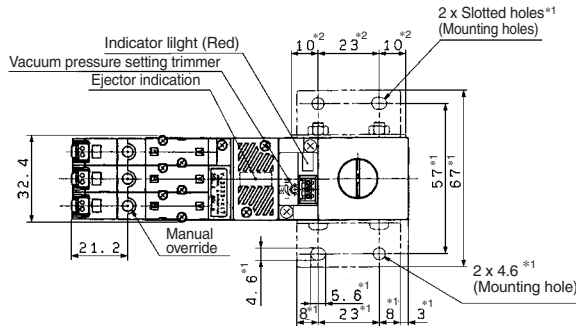
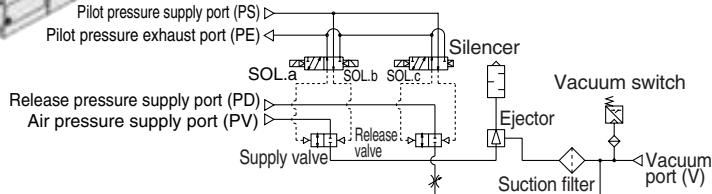
ZR1<sup>10</sup><sub>13</sub>□1-K1□M□□-E□  
15



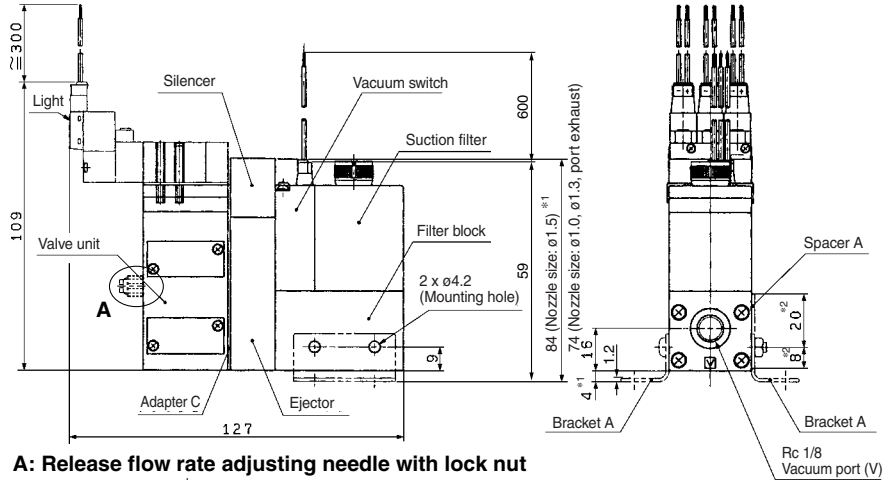
ZR1<sup>10</sup><sub>13</sub>□1-K1□M□□-D□□-□  
15



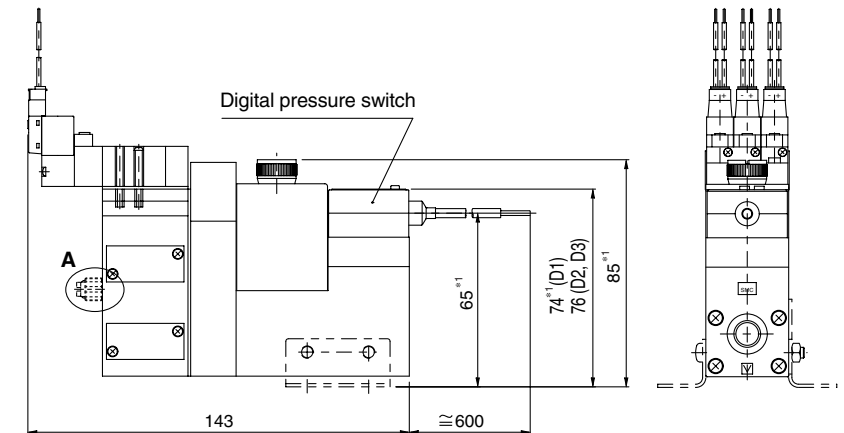
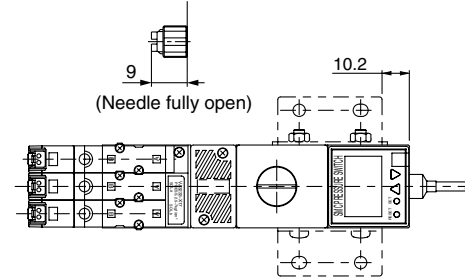
### Circuit diagram



Spacer A is used to leave space for maintenance (for replacement of filter element etc.) on side mounting.



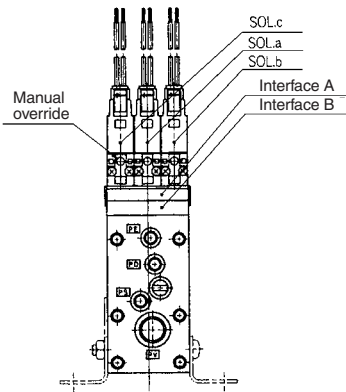
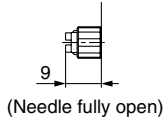
### A: Release flow rate adjusting needle with lock nut



Nozzle dia./ $\phi 1.8, \phi 2.0$

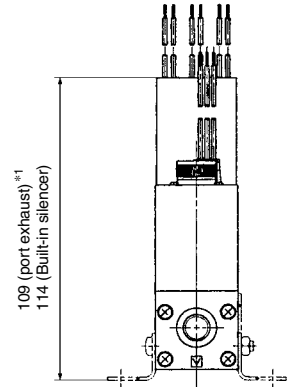
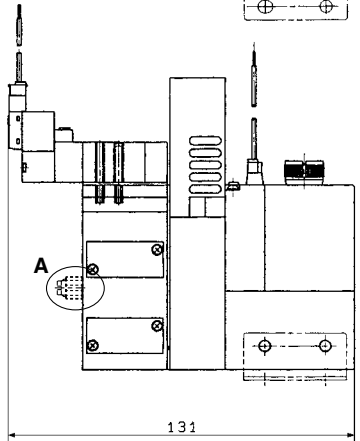
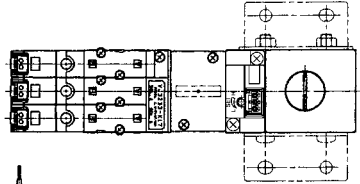
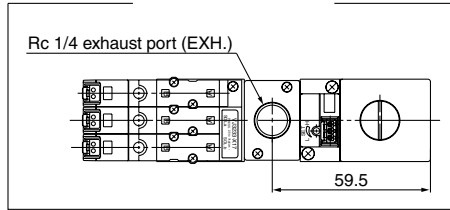
ZR1<sup>18</sup>/<sub>20</sub>□1-K1□M□□-E□

A: Release flow rate adjusting needle with lock nut

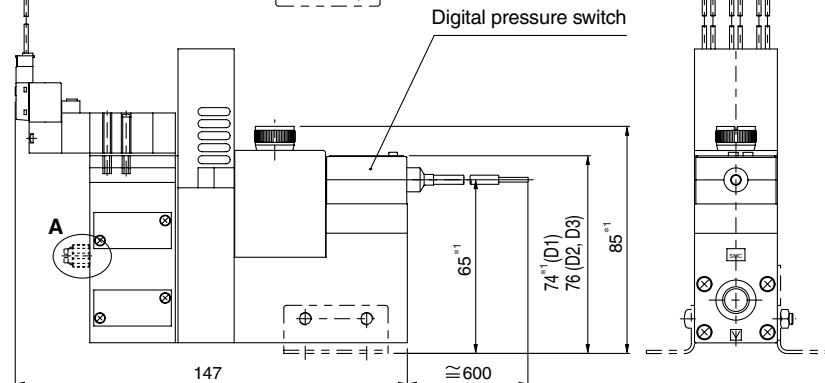
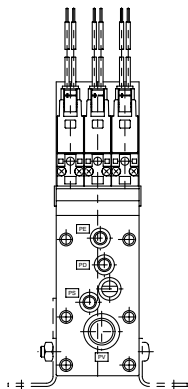
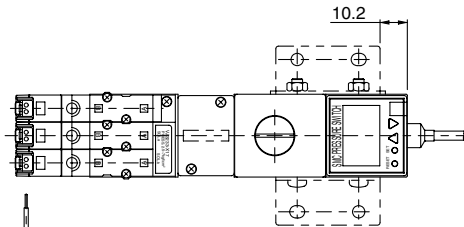
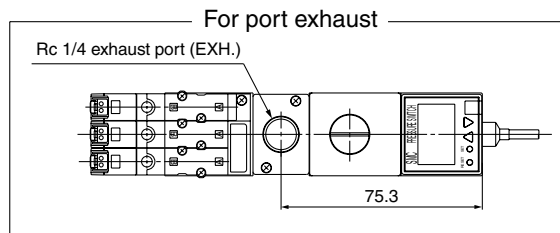


★ Dimensions not indicated are identical to the left drawing.

ZR1<sup>18</sup>/<sub>20</sub>1-K1□M□□-D□□-□



Note) \*1 Dimensions for mounting bracket A  
\*2 Dimensions for mounting spacer A  
Bracket A part no. : P3270153  
(Standard accessory)  
Spacer A part no. : P3270156



ZA

ZX

ZR

ZM

ZMA

ZQ

ZH

ZU

ZL

ZY□

ZF□

ZP□

SP

ZCUK

AMJ

AMV

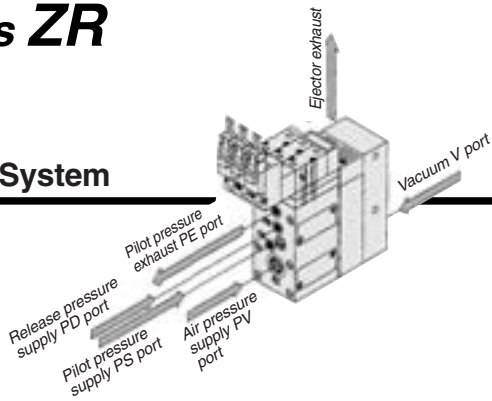
AEP

HEP

Related  
Equipment

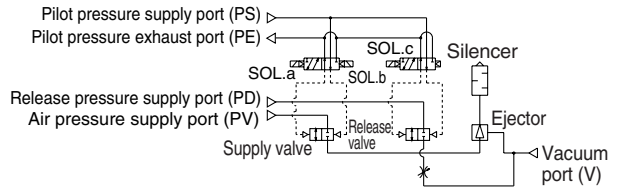
# Series ZR

## Ejector System



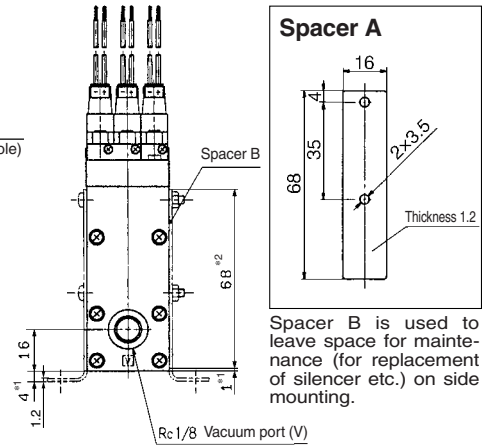
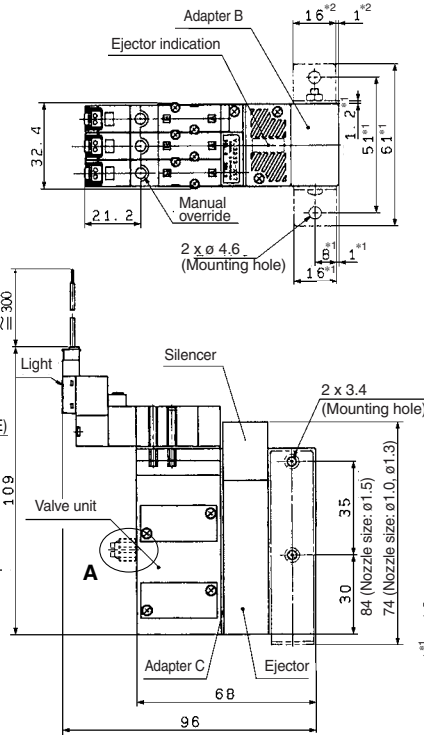
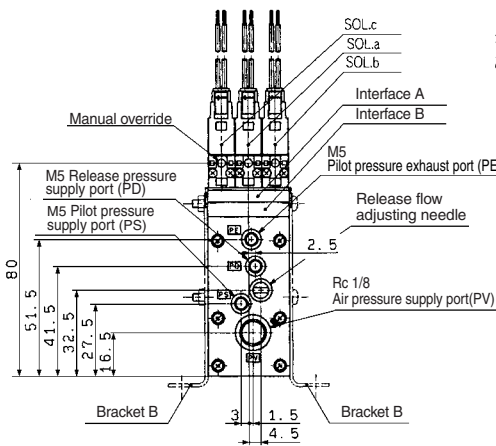
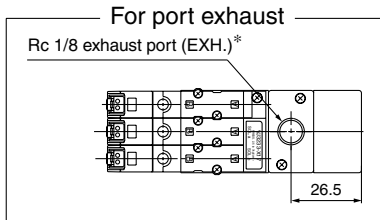
## with Valve

### Circuit diagram



Nozzle dia./ $\phi 1.0, \phi 1.3, \phi 1.5$

ZR1<sup>10</sup><sub>13</sub>□1-K1□M□□□

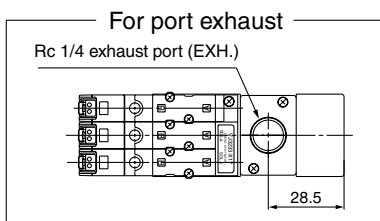


### Spacer A

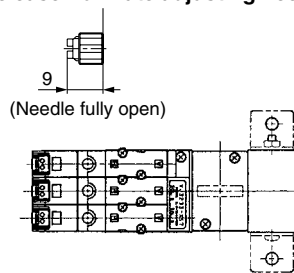
Spacer B is used to leave space for maintenance (for replacement of silencer etc.) on side mounting.

Nozzle dia./ $\phi 1.8, \phi 2.0$

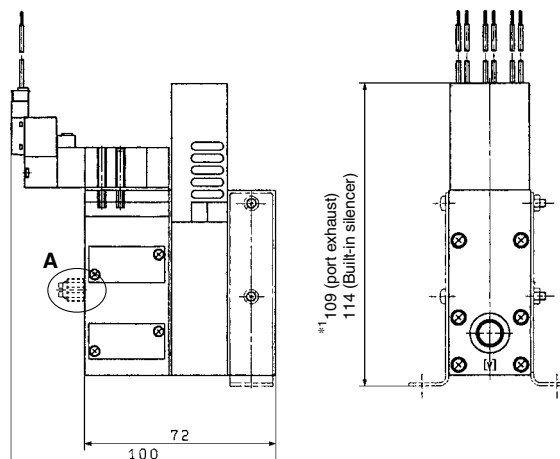
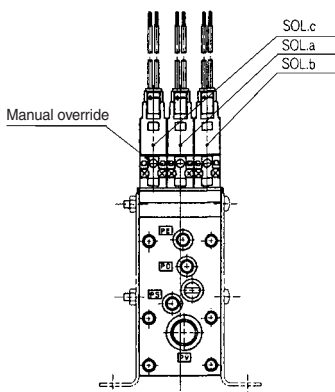
ZR1<sup>18</sup><sub>20</sub>□1-K1□M□□□□



### A: Release flow rate adjusting needle with lock nut



Note) \*1 Dimensions for mounting bracket B  
\*2 Dimensions for mounting spacer B  
Bracket B part no. : P3270154 (Standard accessory)  
Spacer B part no. : P3270157



\* Dimensions not indicated are identical to the top drawing.

ZA

ZX

**ZR**

ZM

ZMA

ZQ

ZH

ZU

ZL

ZY□

ZF□

ZP□

**SP**

ZCUK

**AMJ**

**AMV**

**AEP**

**HEP**

Related  
Equipment



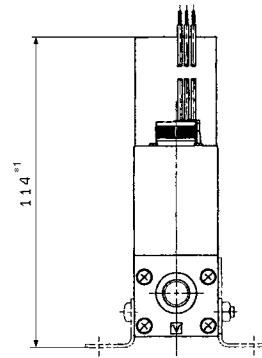
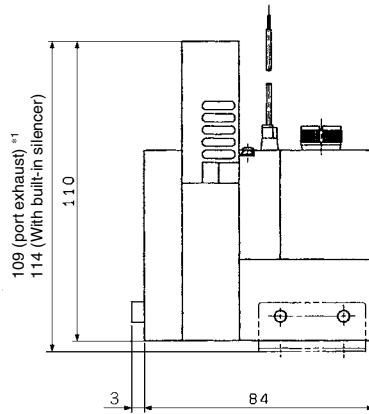
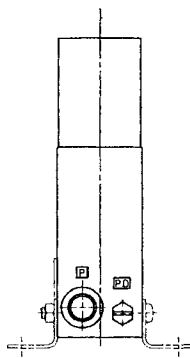
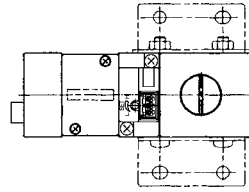
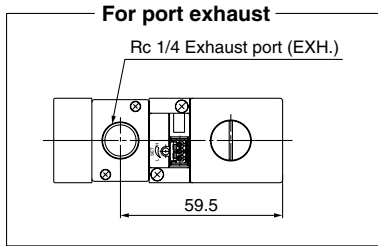


Nozzle dia./ $\phi 1.8, \phi 2.0$

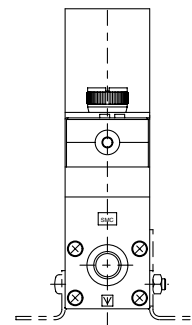
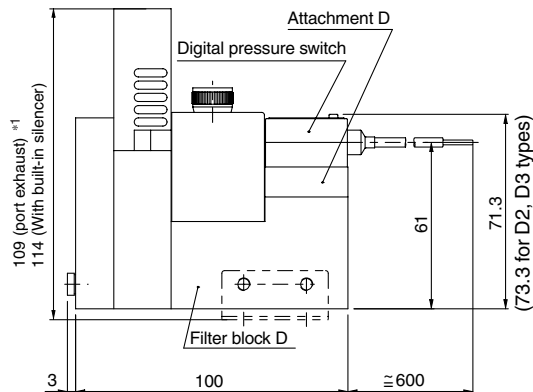
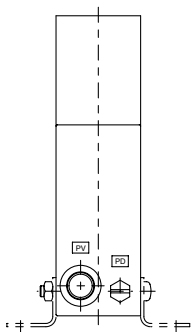
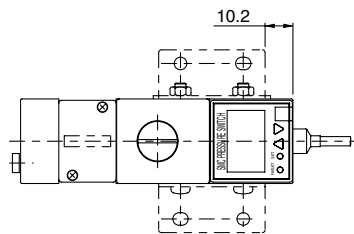
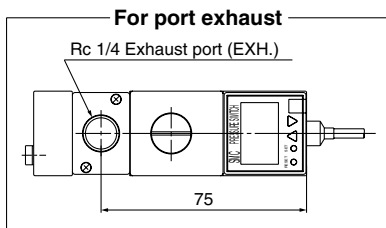
ZR1<sup>18</sup><sub>20</sub>□1-E□



Note) \* 1 Dimensions for mounting bracket A  
\* 2 Dimensions for mounting spacer A  
Bracket A part no.: P3270153  
(Standard accessory)  
Spacer A part no.: P3270156



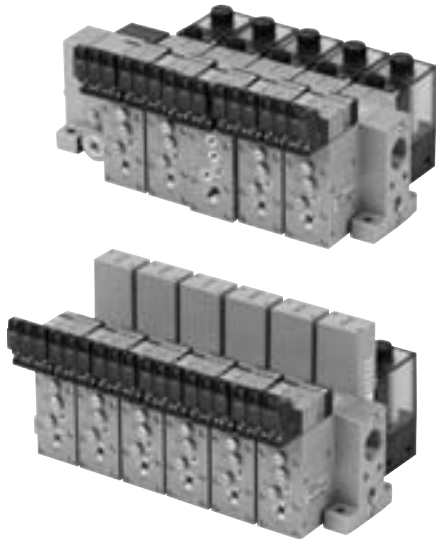
ZR1<sup>18</sup><sub>20</sub>-D□□-□



★ Dimensions not indicated are identical to the top drawing.

ZA
ZX
<b>ZR</b>
ZM
ZMA
ZQ
ZH
ZU
ZL
ZY□
ZF□
ZP□
SP
ZCUK
AMJ
AMV
AEP
HEP
Related Equipment

## Ejector System/Manifold Specifications



### Specifications

Max. number of units	Max. 6 stations
Port	Port size
Common air pressure supply port (PV)	1/8 (Rc, NPTF, G)
Common pilot pressure supply port (PS)	M5
Common release pressure supply port (PD)	M5
Common exhaust port (EXH)	1/8 (Rc, NPTF, G)
Mass	Basic mass for one station is 0.28 kg. Additional mass per one station is 0.12 kg.

- (1) When using 3 or more stations with ZR120□□ manifold, utilize PV port as supply port on both sides.  
 (2) When using 3 or more stations with ZR120□ 3 manifold, utilize EXH port as exhaust port on both sides.

### Manifold Air Supply

Supply port location	Left			Right		
	PV	PS	PD	PV	PS	PD
L (Left side)	○	○	○	●	●	●
R (Right side)	●	●	●	○	○	○
B (Both sides)	○	○	○	○	○	○

Air supply to ○ port  
 BLANK plug attached to ● port  
 Note) BLANK plug is attached on all ports of valve unit.

### Individual Spacer

Part no.	Port	Function
ZR1-R1	PV	Possible to set the air supply pressure individually
	PS	Possible to set the pilot valve air supply pressure individually
	PD	Possible to set the release valve supply pressure individually
	PE	Possible to set the pilot valve exhaust individually

Individual spacer is used when the connecting port of each unit is not common for the manifold connecting port. Mixed specifications of common and individual unit connecting ports for each unit is possible on manifolds with this individual spacer.

## How to Order Manifold

### <Manifold base>

ZZR1 06 - R

Stations	Port location
01 1	R Right side
⋮ ⋮	L Left side
06 6	B Both sides
Thread type	
Nil Rc	
F G (Note)	
T NPTF	

Note) The thread ridge shape is compatible with the G thread standard (JIS B 0203), but other shapes are not conforming to ISO16030 and ISO1179.

Example 1)  
 ZZR106-R ..... 1 pc. (Manifold base only)  
 \* ZR120S1-K15MZ-EC ... 5 pcs. (Unit)  
 \* ZR1-BM1 ..... 1 pc. (Blank plate)  
 \* ZR1-R1-3 ..... 1 pc. (Individual spacer)

• With reference from valve side, the third station from right side

### <Function plate>

ZR1 - RV 1 - 1

Piping specifications			
Symbol	Symbol	PV port	PS port
1	PV↔PS↔PD	Common	Common
2	PV↔PS·PD	Common	Individual

Arrangement (Right valve station which is looked from valve side is first station.)

1	1 station only
⋮	⋮
6	6 stations only
A	All stations

\* If more than one spacer is required, specify all spacers.

Example 2) Attached to the first and third stations  
 \*ZR1-RV1-1  
 \*ZR1-RV1-3  
 \*ZR1-R1-A-3

↑ Fill the number

### <Individual spacer>

ZR1 - R1 - 1

R16

Refer to "About individual spacer."

Arrangement (Right valve station which is looked from valve side is first station.)

1	1 station only
⋮	⋮
6	6 stations only
A	All stations

\* If more than one spacer is required, specify all spacers.

Example) Attached to the first and third stations  
 \*ZR1-R1-1  
 \*ZR1-R1-3

### ⚠ Caution when ordering manifold

- The asterisk denotes the symbol for assembly. Prefix it to the ejector part numbers to be mounted.
- When it is not added, the manifold base and ejector are shipped separately.

### About individual spacers

- In the right table, ports with the symbol ↑ mean that they are manifold supply, while others are individual supply from the valve unit.
- Symbols in the right table are printed on the surface of individual spacers.

Part no.	Symbol	Part no.	Symbol
ZX1-R1	R1	ZX1-R9	R9 ↑PV
-R2	R2 ↓PE	-R10	R10 ↑PV ↓PE
-R3	R3 ↑PD	-R11	R11 ↑PV ↑PD
-R4	R4 ↑PD ↑PE	-R12	R12 ↑PV ↑PD ↑PE
-R5	R5 ↑PS	-R13	R13 ↑PV ↑PS
-R6	R6 ↑PS ↓PE	-R14	R14 ↑PV ↑PS ↑PE
-R7	R7 ↑PS ↑PD	-R15	R15 ↑PV ↑PS ↑PD
-R8	R8 ↑PS ↑PD ↑PE	-R16	R16 ↑PV ↑PS ↑PD ↑PE

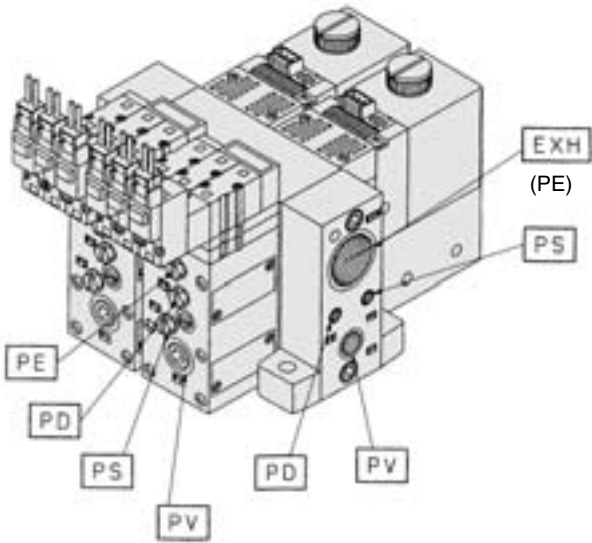
### <Blanking plate>

ZR1 - BM1

Refer to Example 1).

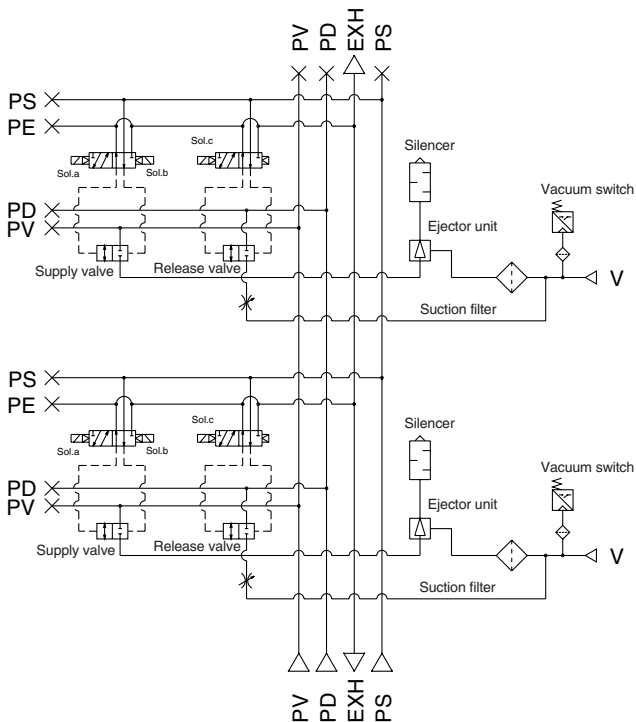
**Manifold/System Circuit Example**

When not using individual spacer

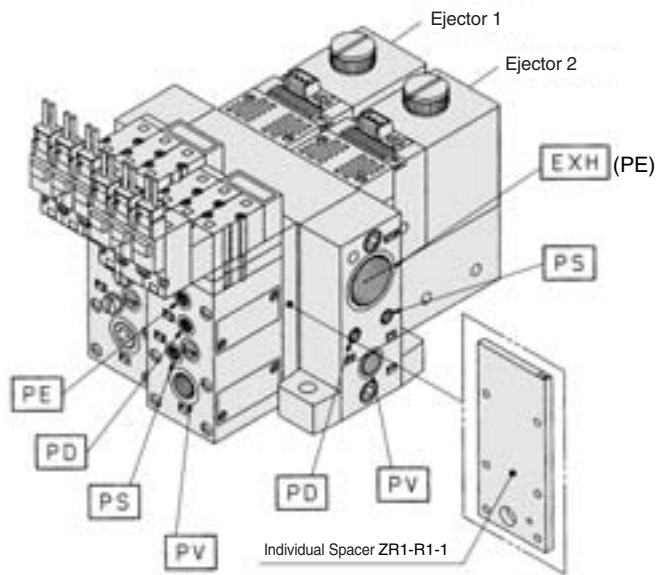


**PV:** Air pressure supply port  
**PS:** Pilot pressure supply port  
**PD:** Release pressure supply port  
**PE:** Pilot pressure exhaust port  
**EXH:** Common exhaust port  
**V:** Vacuum Port

<System circuit example>

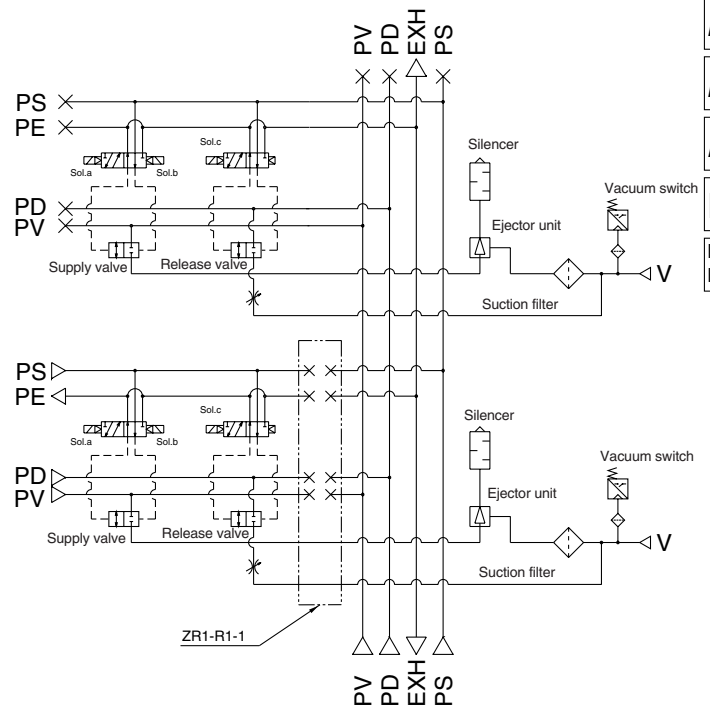


When using individual spacer



**PV:** Air pressure supply port  
**PS:** Pilot pressure supply port  
**PD:** Release pressure supply port  
**PE:** Pilot pressure exhaust port  
**EXH:** Common exhaust port  
**V:** Vacuum Port

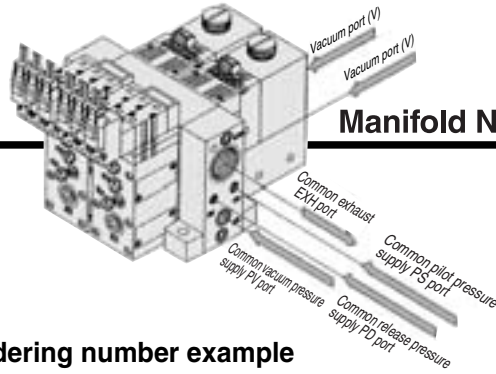
<System circuit example>



ZA
ZX
<b>ZR</b>
ZM
ZMA
ZQ
ZH
ZU
ZL
ZY□
ZF□
ZP□
SP
ZCUK
AMJ
AMV
AEP
HEP
Related Equipment

# Series ZR

## Ejector System

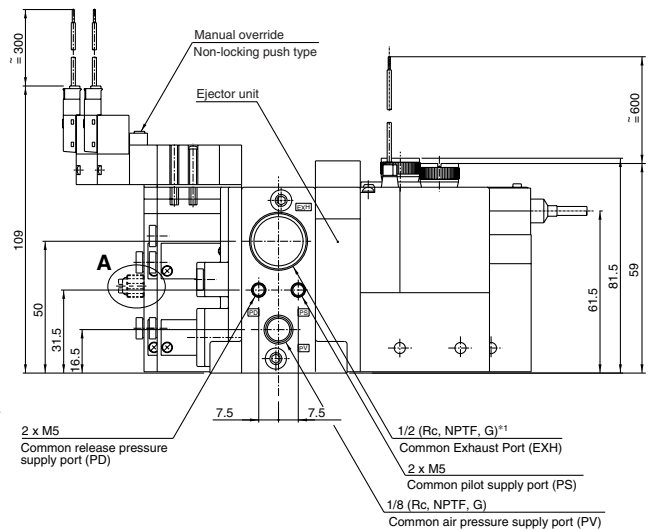
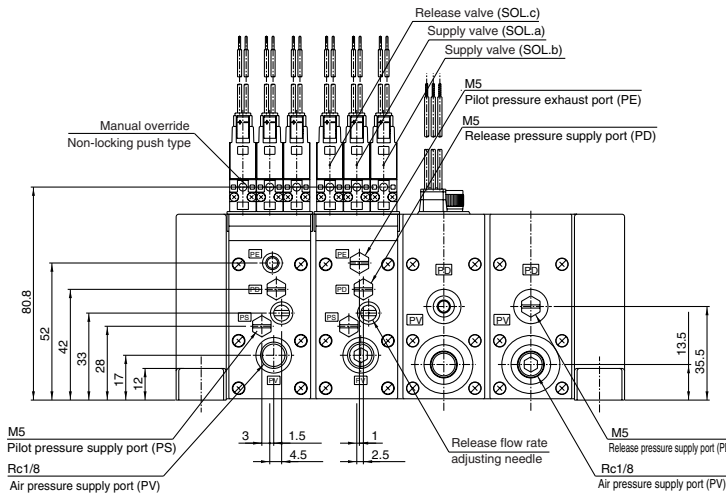
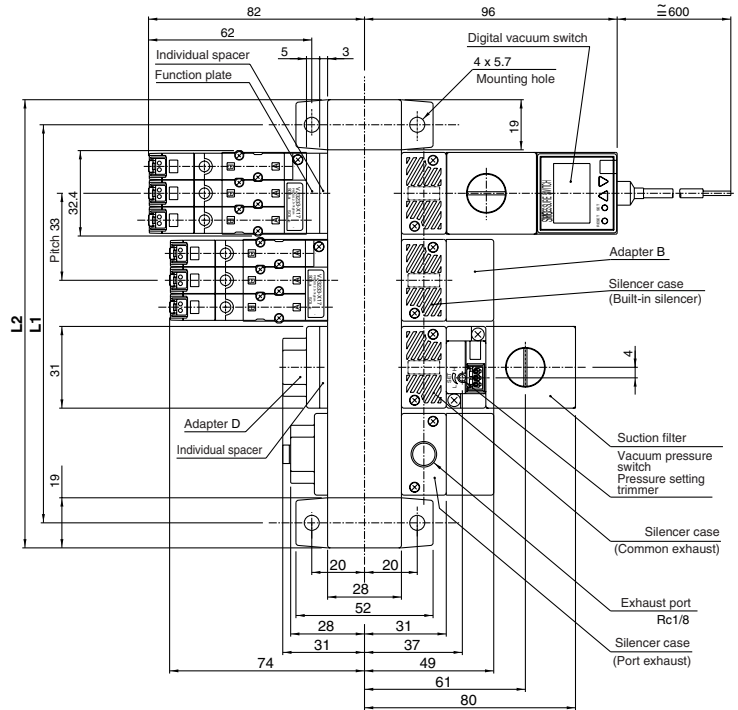
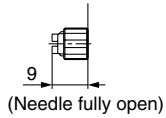


Manifold Nozzle Dia./ $\varnothing$ 1.0,  $\varnothing$ 1.3,  $\varnothing$ 1.5

### 4 stations manifold: Ordering number example

- ZZR104-□□ .....1pc. (Manifold base)
- \* ZR1□□2 .....1pc. (Port exhaust type)
- \* ZR1□□1-EC .....1pc. (Single unit)
- \* ZR1□□1-K1□M□ .....1 pc. (Single unit)
- \* ZR1□□1-K1□M□-D1□-□ ...1pc. (Single unit)
- \* ZR1-RV1-4 .....1pc. (Function plate)
- \* ZR1-R1-4 .....1pc. (Individual spacer)

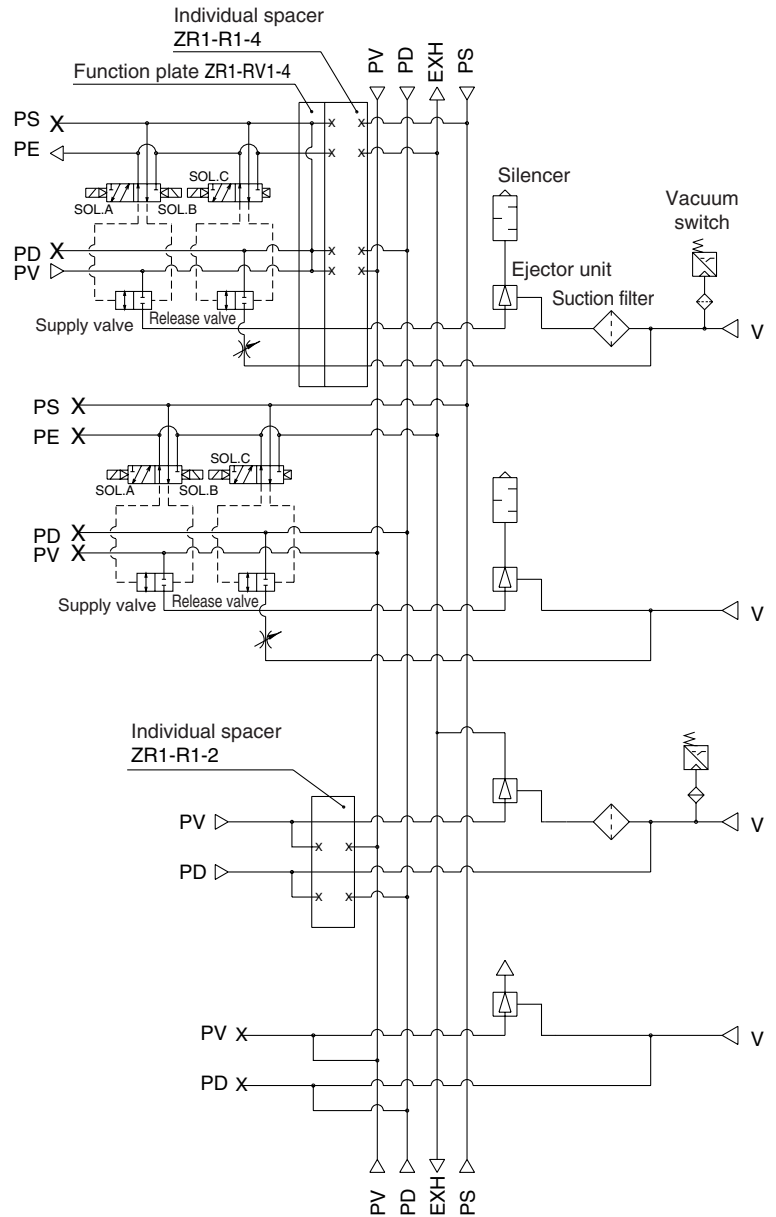
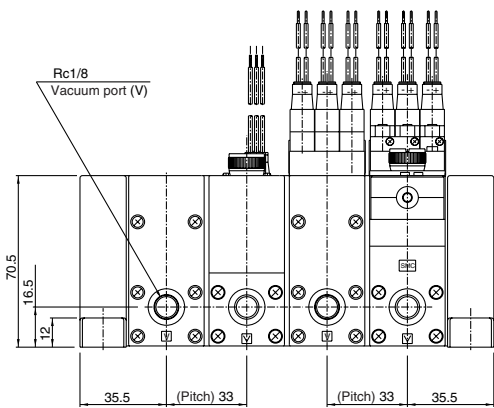
### A: Release flow rate adjusting needle with lock nut



\* 1 The common exhaust port (EXH.) is also used as the pilot pressure exhaust (PE) port of the pilot valve. Use while the port is open to the atmosphere.

		(mm)					
Symbol	Stations	1	2	3	4	5	6
L1		52	85	118	151	184	217
L2		71	104	137	170	203	236

## Circuit diagram

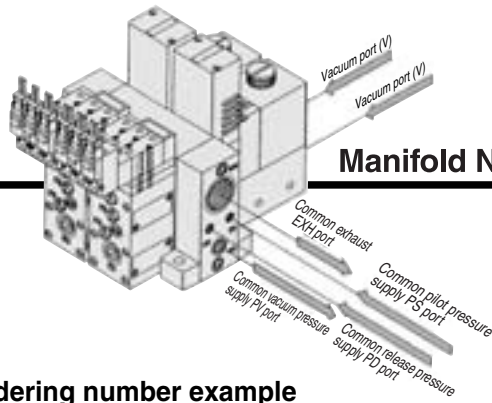


**PV:** Air pressure supply port  
**PS:** Pilot pressure supply port  
**PD:** Release pressure supply port  
**PE:** Pilot pressure exhaust port  
**EXH:** Exhaust port  
**V:** Vacuum Port

ZA
ZX
<b>ZR</b>
ZM
ZMA
ZQ
ZH
ZU
ZL
ZY□
ZF□
ZP□
SP
ZCUK
AMJ
AMV
AEP
HEP
Related Equipment

# Series ZR

## Ejector System

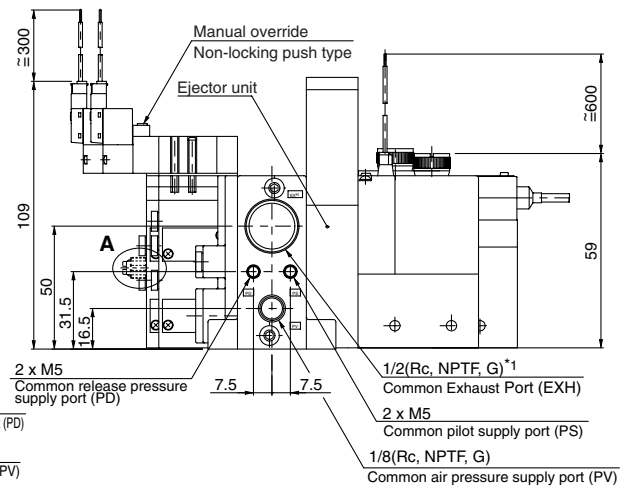
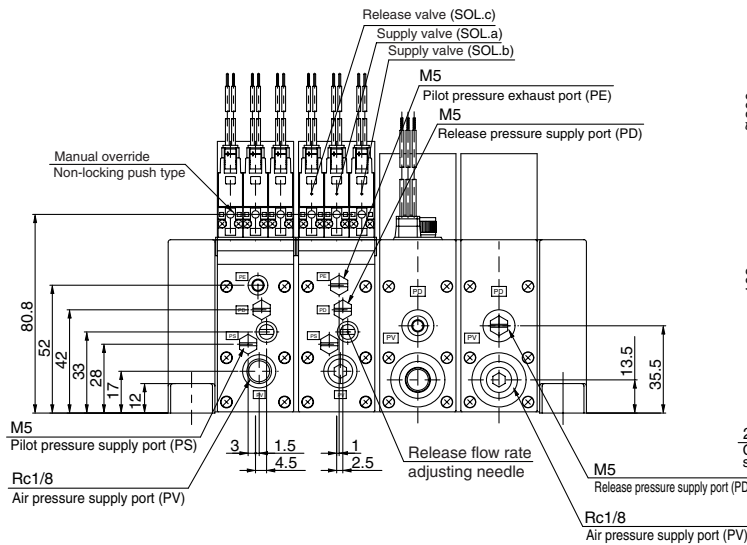
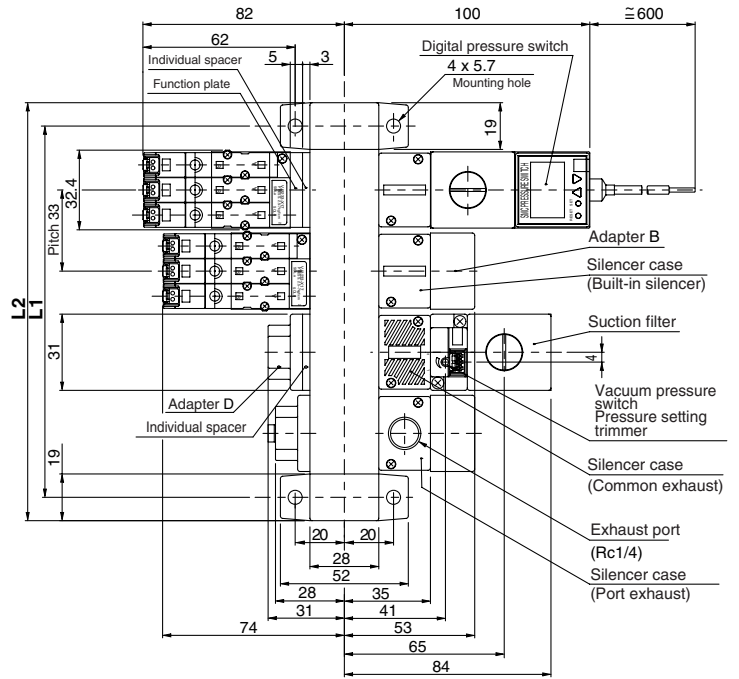
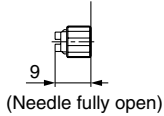


Manifold Nozzle Dia./ø1.8, ø2.0

### 4 stations manifold: Ordering number example

- ZZR104-□□ .....1pc. (Manifold base)
- \* ZR1□□2 .....1pc. (Port exhaust type)
- \* ZR1□□1-EC .....1pc. (Single unit)
- \* ZR1□□1-K1□M□ .....1 pc. (Single unit)
- \* ZR1□□1-K1□M□-D1□-□ ...1pc. (Single unit)
- \* ZR1-RV1-4 .....1pc. (Function plate)
- \* ZR1-R1-4 .....1pc. (Individual spacer)

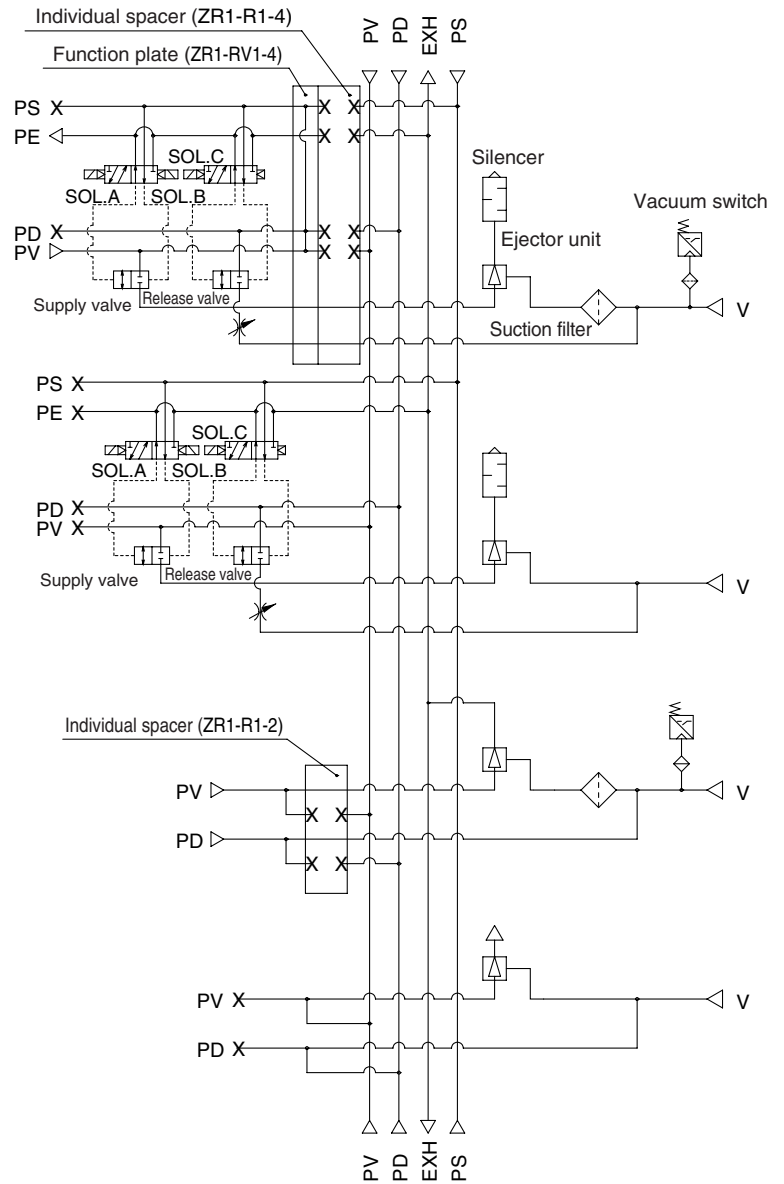
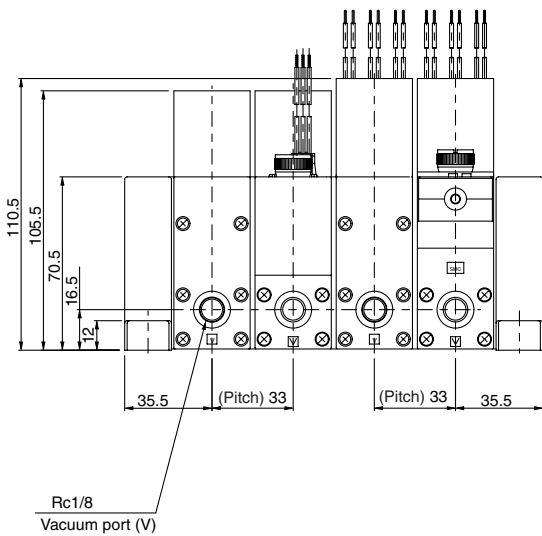
### A: Release flow rate adjusting needle with lock nut



\* 1 The common exhaust port (EXH.) is also used as the pilot pressure exhaust (PE) port of the pilot valve. Use while the port is open to the atmosphere.

		(mm)					
Symbol	Stations	1	2	3	4	5	6
L1		52	85	118	151	184	217
L2		71	104	137	170	203	236

Circuit diagram



**PV:** Air pressure supply port  
**PS:** Pilot pressure supply port  
**PD:** Release pressure supply port  
**PE:** Pilot pressure exhaust port  
**EXH:** Common exhaust port  
**V:** Vacuum Port

ZA
ZX
<b>ZR</b>
ZM
ZMA
ZQ
ZH
ZU
ZL
ZY□
ZF□
ZP□
SP
ZCUK
AMJ
AMV
AEP
HEP
Related Equipment

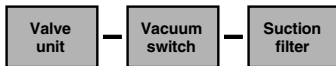
# Large Size Vacuum Module: Vacuum Pump System Series ZR

## How to Order

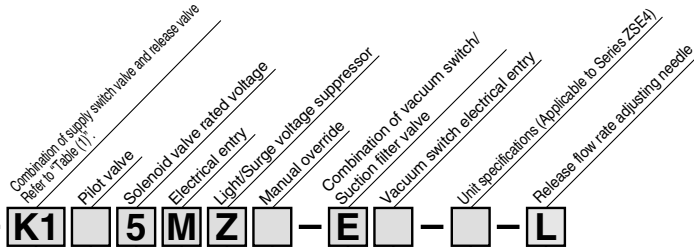
### Note for model selection

Take function plates into consideration.  
(Refer to page 971.)

### Components



ZR100 -



### Combination of vacuum valve and release valve

Refer to "Table (1)" in page 969 for details.

Nil	Without lock nut
L	With lock nut

### Unit specifications

Nil	With unit switching function <sup>(1)</sup>
M	SI unit only <sup>(2)</sup>

Note 1) This is no longer sold for use in Japan due to the Weight and Measure Act (implemented October, 1999).  
Note 2) Fixed unit: kPa

### Digital vacuum switch specifications (D1, D2, D3)

Symbol	Output specifications	Lead wire length	Applicable switch
25 (L)	NPN output	Lead wire length 0.6 (3.0) m	D1 D2
26 (L)	Analog output	Lead wire length 0.6 (3.0) m	
65 (L)	PNP output	Lead wire length 0.6 (3.0) m	
27 (L)	NPN output	Lead wire length 0.6 (3.0) m	D3
26 (L)	Analog output	Lead wire length 0.6 (3.0) m	
67 (L)	PNP output	Lead wire length 0.6 (3.0) m	

### Vacuum switch electrical entry (E)

Symbol	Type	Lead wire length
Nil	Grommet type	Lead wire length 0.6 m
L	Plug type	Lead wire length 3.0 m
C	Connector type	Lead wire length 0.6 m
CL		Lead wire length 3.0 m
CN	Without lead wire	

Refer to "Table (3)" on page 969 regarding lead wire with connector part no.

### Combination of vacuum switch/Suction filter

Specifications		
D1	Digital *	LCD display
D2	vacuum switch	LCD display with backlight
D3	(ZSE4) + Filter	LED display
E	vacuum switch	NPN output
E55	(ZSE2) + Filter	PNP output
F	Filter	

\* Select the digital vacuum switch output specification in accordance with the digital vacuum switch specifications (D1, D2 and D3).

\* The filter mounted on the product is a simplified one. When used in an environment with a lot of dust, the built-in filter is likely to be clogged soon. The use with the ZFA, ZFB and ZFC series is recommended.

### Manual override

Nil	Non-locking push type
B	Locking slotted type

### Caution

When using AC, the DC solenoids are operated via a rectifier. Therefore, make sure to combine the connector assembly equipped with a rectifier with the exclusive solenoids. Using other combinations could lead to burned coils or other malfunctions.

### Solenoid valve rated voltage

Nil	Air operated
5	24 VDC
6	12 VDC
V	6 VDC
S	5 VDC
R	3 VDC
D1	100 VAC (50/60Hz)
D2	110 VAC (50/60Hz)

### Pilot valve

Nil	DC: 1 W (With indicator light: 1.05 W)
	AC
Y*	DC: 0.45 W (With indicator light: 0.5 W)

\* Only 24 VDC and 12 VDC are applicable to 0.45 W.

### Electrical entry

Nil	Air operated
-----	--------------

### For 24, 12, 6, 5, 3 VDC

Symbol	Connector type	Lead wire length
L	Plug connector type	Lead wire length 0.3 m
LN		Without lead wire (Applicable to only DC)
LO		Without connector
M		Lead wire length 0.3 m
MN	Without lead wire (Applicable to only DC)	
MO		Without connector
G	Grommet type	Lead wire length 0.3 m (Applicable to only DC)
H		Lead wire length 0.6 m (Applicable to only DC)

### 100, 110 VAC (With rectifier)

Symbol	Connector type	Lead wire length
L	Plug connector type	Lead wire length 0.3 m
LO		Without connector
M		Lead wire length 0.3 m
MO		Without connector

Refer to "Table (2)" on page 969 for lead wire with connector.

### Light/Surge voltage suppressor

Nil	None
Z	With light/surge voltage suppressor (Possible only solenoid valve connector type.)
S	With surge voltage suppressor

\* DC voltage: Be much careful about polarity, because it is incorrect at DC (surge voltage suppressor), diode or switching element may be damaged.  
AC voltage: S is not available for AC.



**Table (1) Valve Unit/Combination of Vacuum Switch Valve and Release Valve**

Valve unit function			Valve unit components		Symbol	Supply valve				Release valve			
Operation stop	Vacuum adsorption	Vacuum release	Supply valve	Release valve		Solenoid valve			Air operated (VJA3130)	Solenoid valve			Air operated (VJA3130)
						Double SOL. (VJ3233-X17)	Double SOL. (VJ3233-X18)	N.C. (VJ3133)		Double SOL. (VJ3233-X17)	Double SOL. (VJ3233-X18)	N.C. (VJ3133)	
○	◎	○	Double SOL. (VJ3233-X17)	N.C. (VJ3133)	K1	●	—	—	—	—	—	●	—
○	○	○	N.C. (VJ3133)	N.C. (VJ3133)	K2	—	—	●	—	—	—	●	—
○	○	○	Air operated (VJA3130)	Air operated (VJA3130)	K3	—	—	—	●	—	—	—	●
×	○	○	N.C. (VJ3133)		C1	—	—	●	—	—	—	(Common with supply valve)	—
×	○	○	Air operated (VJA3130)		C2	—	—	—	●	—	—	—	(Common with supply valve)
×	○	○	N.O. (VJ3133)		C3	—	—	●	—	—	—	(Common with supply valve)	—
×	◎	◎	Double SOL. (VJ3233-X18)		C4	—	●	—	—	—	(Common with supply valve)	—	—
○: Possible ○: Possible with limitations (without self-holding function) ×: Not possible					Nil	Without valve module							

**Table (2) How to Order Valve Plug Connector Assembly**

DC	<b>VJ10 - 20 - 4A</b> - □
100 VAC (with rectifier)	<b>VJ10 - 36 - 1A</b> - □
110 VAC (with rectifier)	<b>VJ10 - 36 - 3A</b> - □

Lead wire length	
Nil	300 mm (Standard)
6	600 mm
10	1000 mm
15	1500 mm
20	2000 mm
25	2500 mm
30	3000 mm

**How to order**

When requiring a vacuum unit equipped with valves with lead wires of 600 mm or more, specify the vacuum module valves without the standard connectors and order the required connector ass'ys separately.

Example) ZR100-K15M□Z-EC ..... 1 pc.  
\* VJ10-20-4A-6 ..... 3 pcs.

**Table (3) Vacuum Switch/Lead Wire with Connector**

<b>ZS - 10 - 5A</b> - □	□
	● Lead wire length
	Nil 0.6 m
	30 3 m
	50 5 m

**How to order**

When requiring a vacuum switch with a lead wire of 5 m, indicate the part numbers of the vacuum unit switch without a lead wire with connector and the 5 m lead wire connector separately.

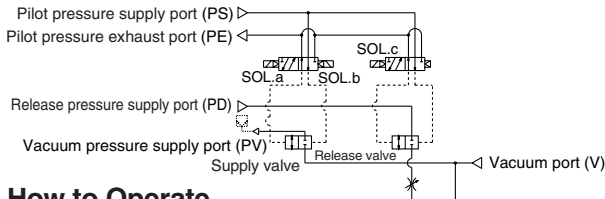
Example) ZR100-□□□□□-□CN ..... 1 pc.  
\* ZS-10-5A-50 ..... 1 pc.

- ZA
- ZX
- ZR**
- ZM
- ZMA
- ZQ
- ZH
- ZU
- ZL
- ZY□
- ZF□
- ZP□
- SP
- ZCUK
- AMJ
- AMV
- AEP
- HEP
- Related Equipment

## Vacuum Pump System/Combination of supply valve and release valve

### Combination Symbol : K1

Feature : Double solenoid vacuum valve allows for self-holding.

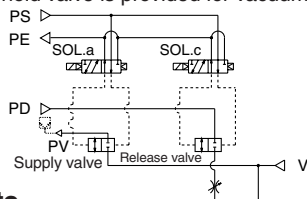


#### How to Operate

Operation	Pilot valve operation			Note
	Supply valve	Release valve		
1. Adsorption	SOL.a	SOL.b	SOL.c	When power supply is cut off while the supply valve is ON, the operational state is held.
2. Vacuum release	OFF	ON	ON	
3. Operation stop	OFF	ON	OFF	

### Combination Symbol : K2

Feature: Single solenoid valve is provided for vacuum valve.

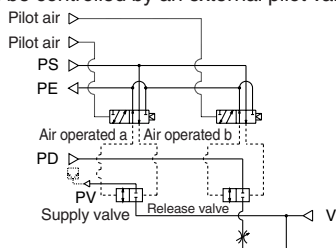


#### How to Operate

Operation	Pilot valve operation		Note
	Supply valve	Release valve	
1. Adsorption	SOL.a	SOL.c	When power supply is stopped, all operations will be stopped.
2. Vacuum release	OFF	ON	
3. Operation stop	OFF	OFF	

### Combination Symbol : K3

Feature: Operation can be controlled by an external pilot valve.



#### How to Operate

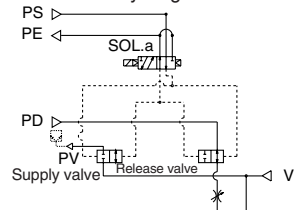
Operation	Pilot valve operation		Note
	Supply valve	Release valve	
1. Adsorption	Air operated a	Air operated b	The product is used under the environment in which solenoid valves cannot be used or when the centralized control is applied using external pilot air.
2. Vacuum release	OFF	ON	
3. Operation stop	OFF	OFF	

### ⚠ Caution

When pipe connection is made to two port connections (PV port, PD port) only, use a function plate (ZR1-RV3). Refer to page 971 for further information.

### Combination Symbol : C1

Feature: Adsorption of workpieces (when energized) and release of vacuum (when de-energized) are switched by single solenoid valve.

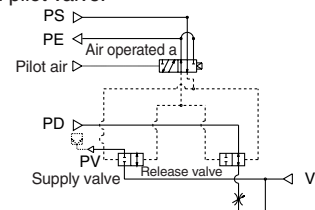


#### How to Operate

Operation	Pilot valve operation		Note
	Supply valve/Release valve		
1. Adsorption	SOL.a		Be careful for blowing off of workpieces or displacement of adsorption position in case of small and/or lightweight workpieces.
2. Vacuum release	OFF		

### Combination Symbol : C2

Feature: Adsorption of workpieces and release of vacuum are switched by an external pilot valve.

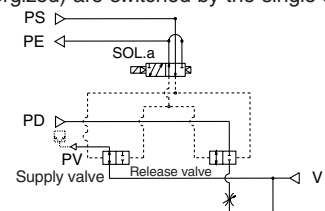


#### How to Operate

Operation	Pilot valve operation		Note
	Supply valve/Release valve		
1. Adsorption	Air operated a		Be careful for blowing off of workpieces or displacement of adsorption position in case of small and/or lightweight workpieces.
2. Vacuum release	OFF		

### Combination Symbol : C3

Feature: Adsorption of workpieces (when de-energized) and release of vacuum (when energized) are switched by the single solenoid

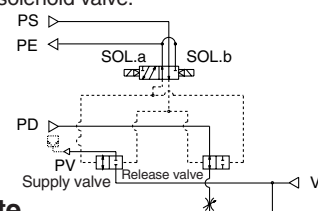


#### How to Operate

Operation	Pilot valve operation		Note
	Supply valve/Release valve		
1. Adsorption	SOL.a		Be careful for blowing off of workpieces or displacement of adsorption position in case of small and/or lightweight workpieces.
2. Vacuum release	OFF		

### Combination Symbol : C4

Feature: Adsorption of workpieces and release of vacuum are switched by double solenoid valve.



#### How to Operate

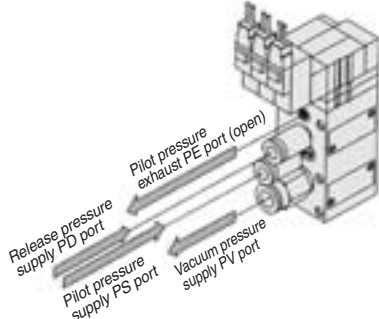
Operation	Pilot valve operation			Note
	Supply valve/Release valve			
1. Adsorption	SOL.a	SOL.b		When power supply is stopped vacuum valve/vacuum release valve will hold the operation.
2. Vacuum release	OFF	ON		

**Function Plate : ZR1-RV3**

A function plate is used when each connecting port for the valve unit is common. If a function plate is not used (standard), make individual pipe connections to PV, PS, and PD ports respectively.

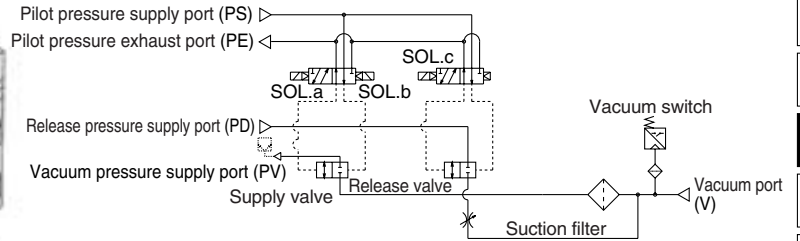
**Without Function Plate (Standard)**

Applicable system: Ejector system  
External vacuum supply system



Pipe connection

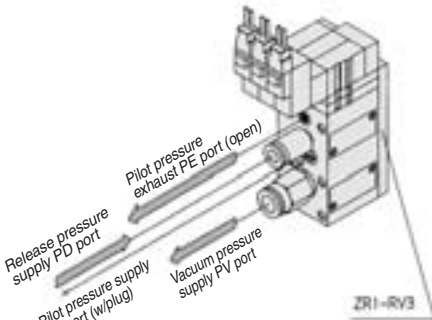
**Example of circuit diagram**



**With Function Plate/Applicable to Vacuum Pump System Only**

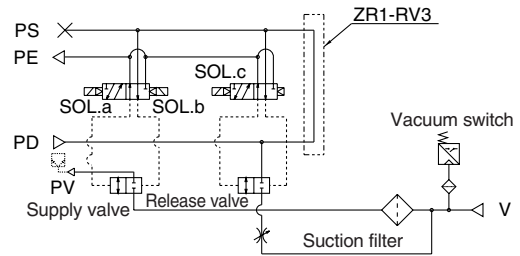
**When ZR1-RV3 (PV/PS↔PD) is Selected**

Since compressed air is necessary to operate pilot valve in vacuum pump system, supply air to PD port (or PS port).



Pipe connection

**Example of circuit diagram**



**How to Order Function Plate Unit (For Pump System)**

**ZR1 - RV 3**

**Piping specifications**

Symbol	Symbol	PV port	PS/PD port
3	PV/PS ↔ PD	Individual	Common

**How to order**

Indicate the model numbers of the vacuum module and the function plate.

Example) ZR100-K15MZ-E ..... 1

\* ZR1-RV3 ..... 1

**Caution**

Length of assembling screw varies when adding function plate. Order from the mounting thread parts list for unit combination on page 983. Order a plug (M-5P) separately in order to plug the PD and PS ports that are no longer used due to the addition of function plate.

- ZA
- ZX
- ZR**
- ZM
- ZMA
- ZQ
- ZH
- ZU
- ZL
- ZY□
- ZF□
- ZP□
- SP
- ZCUK
- AMJ
- AMV
- AEP
- HEP
- Related Equipment

# Series ZR

## Valve Unit : ZR1-V



### Specifications

Valve unit part no.	ZR1-V □□□□□	
<b>Components</b>	Supply valve	Release valve
<b>Operating method</b>	Pilot operated	Pilot operated
Combination of supply valve and release valve	Refer to the combination of supply valve and release valve below.	
<b>PV port supply pressure</b>	-0.1 to 0.6 MPa	
<b>PD port supply pressure</b>	0.05 to 0.6 MPa	
<b>PS port supply pressure</b>	0.25 to 0.6 MPa	
<b>Main valve effective area (mm<sup>2</sup>)</b>	8.2	0.96
<b>Main valve effective area (Cv)</b>	0.45	0.053
<b>Maximum operating frequency</b>	5 Hz	
<b>Operating temperature range</b>	5 to 50°C	

Standard accessory - Bracket B

### Solenoid Valve/Specifications

<b>Solenoid</b>	VJ3133-□□□□□, VJ3233-□□□□□-X17, VJ3233-□□□□□-X18
<b>Rated voltage</b>	24, 12, 6, 5, 3 VDC, 100*, 110* VAC (50/60 Hz)
<b>Electrical entry</b>	100, 110 VAC-L/M plug connector (With rectifier) 3, 5, 6, 12, 24 VDC-L/M plug connector, Grommet
<b>Light/Surge voltage suppressor</b>	Available, Not available (at grommet)
<b>Manual operation</b>	Non-locking push type, Locking slotted type

\* Applicable to plug connector; connector assembly with rectifier is attached.

### Combination of Supply Valve and Release Valve

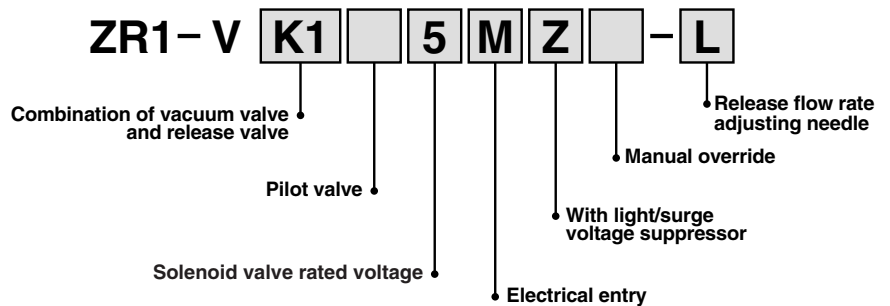
Combination symbol	Vacuum switch valve	Release valve	Mass (kg)
<b>K1</b>	Double SOL. (VJ3233-X17)	N.C. (VJ3133)	0.245
<b>K2</b>	N.C. (VJ3133)	N.C. (VJ3133)	0.213
<b>K3</b>	Air operated VJA3130	Air operated VJA3130	0.194
<b>C1</b>	N.C. (VJ3133)		0.187
<b>C2</b>	Air operated VJA3130		0.174
<b>C3</b>	N.C. (VJ3133)		0.184
<b>C4</b>	Double SOL. (VJ3233-X18)		0.214

\* Weight includes Bracket B. (Solenoid valve: 24 VDC, M plug connector type)

### How to Order



Refer to page 968 for further part no. information.



## Vacuum Pressure Switch : ZSE4-00-□□-□-X105



### Specifications

Model	ZSE4-00-□□-□-X105	ZSE4B-00-□□-□-X105	ZSE4E-00-□□-□-X105
<b>Display</b>	LCD	LCD with backlight	LED
<b>Pressure setting range</b>	-101 to 0 kPa		-101 to 10 kPa
<b>Maximum operating pressure</b>	200 KPa		
<b>Hysteresis</b>	<b>Hysteresis mode</b>	Variable (3 digits or more)	
	<b>Window comparator mode</b>	Fixed (3 digits)	
<b>Temperature characteristics</b>	±3% F.S. or less		
<b>Operating voltage</b>	12 to 24 VDC (Ripple ±10% or less)		
<b>Current consumption</b>	25 mA or less	45 mA or less	-26, -27: 50 mA or less -67: 60 mA or less
<b>Operating temperature range</b>	0 to 50°C (No condensation)		



Refer to page 952 for further specifications.

**Vacuum Pressure Switch : ZSE2-0R-□□**



Refer to page 949 for further specifications.

**Specifications**

Vacuum pressure switch part no.	ZSE2-0R-15□	ZSE2-0R-55□
<b>Fluid</b>	Air	
<b>Setting pressure range</b>	0 to -101 kPa	
<b>Hysteresis</b>	3% F.S. or less	
<b>Temperature characteristics (25°C standard)</b>	± 3% F.S. or less	
<b>Operating voltage</b>	12 to 24 VDC (Ripple ±10% or less)	
<b>Output</b>	NPN Open collector 30 V, 80 mA	PNP Open collector 80 mA
<b>Indicator light</b>	Lights up when ON	
<b>Current consumption</b>	17 mA or less (when 24 VDC is ON)	
<b>Proof pressure (Max. operating pressure)</b>	0.5 MPa*	
<b>Operating temperature range</b>	5 to 50°C	

\* When using the ejector system, instantaneous pressure up to 0.5 MPa will not damage the switch.



Note) Operation outside of the maximum operating pressure and operating temperature range may cause a serious accident or damage.

**Vacuum Switch/Suction Filter Unit : ZR1-F□□-□**



Refer to page 953 for further specifications.

**Specifications**

Unit no.		ZR1-F□□-□
<b>Suction filter</b>	<b>Operating pressure range</b>	Vacuum to 0.5 MPa
	<b>Operating temperature range</b>	5 to 50°C
	<b>Filtration efficiency</b>	30 μm
<b>Filter media</b>		PVF
<b>Vacuum switch</b>		Refer to pages 949 and 952 regarding vacuum switch.
<b>Standard option</b>		Bracket A



Note) Operation outside of the operating pressure and operating temperature range may cause a serious accident or damage.

**Filter case**

**⚠ Caution**

- ① The case is made of polycarbonate. Therefore, do not use it with or expose it to the following chemicals: paint thinner, carbon tetrachloride, chloroform, acetic ester, aniline, cyclohexane, trichloroethylene, sulfuric acid, lactic acid, watersoluble cutting oil (alkalinalic), etc.
- ② Do not expose it to direct sunlight.

**Suction Filter : ZR1-FX**



Refer to page 955 for further specifications.

**Specifications**

Model	ZR1-FX
<b>Operating pressure range</b>	Vacuum to 0.5 MPa
<b>Operating temperature range</b>	5 to 50°C
<b>Filtration efficiency</b>	30 μm
<b>Filter media</b>	PVF
<b>Mass (with bracket)</b>	0.1 kg



Note) Operation outside of the operating pressure and operating temperature range may cause a serious accident or damage.

**Filter case**

**⚠ Caution**

- ① The case is made of polycarbonate. Therefore, do not contact it or expose it to the following chemicals: paint thinner, carbon tetrachloride, chloroform, acetic ester, aniline, cyclohexane, trichloroethylene, sulfuric acid, lactic acid, watersoluble cutting oil (alkalinalic), etc.
- ② Do not expose it to direct sunlight.

ZA

ZX

ZR

ZM

ZMA

ZQ

ZH

ZU

ZL

ZY□

ZF□

ZP□

SP

ZCUK

AMJ

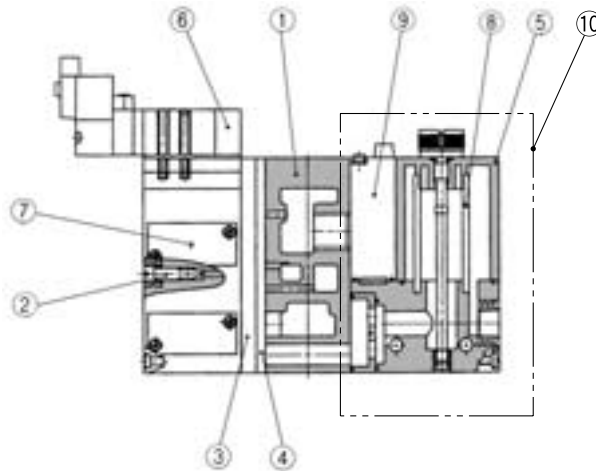
AMV

AEP

HEP

Related Equipment

## Construction



### Components Parts

No.	Description	Material	Note
①	Manifold base	Aluminum	
②	Release flow rate adjusting needle	Stainless steel	Refer to Note 2)
③	Function plate	PBT	→ Refer to page 978.
④	Individual spacer	PBT	→ Refer to page 978.
⑤ <sup>(1)</sup>	Filter case	Polycarbonate	ZR1-FC-PC (Assembly part no.:ZR1-FC-PC-AS)



Note 1) Precautions on handling the filter case

1. The case is made of polycarbonate. Therefore, do not contact it or expose it to the following chemicals: paint thinner, carbon tetrachloride, chloroform, acetic ester, aniline, cyclohexane, trichloroethylene, sulfuric acid, lactic acid, water soluble cutting oil (alkalinic), etc.

2. Do not expose it to direct sunlight.

Note 2) Turning the release flow rate adjusting needle 4 full turns from the fully closed position renders the needle valve fully open. Do not turn more than four times since turning excessively may cause the needle fall off. In order to prevent the needle from loosening and falling out, a special product (-X140) is available.

### Replacement Parts

No.	Description	Material	Part No.
⑥	Pilot valve assembly	—	→ Refer to Table (1)
⑦	Valve body assembly	—	→ Refer to Table (2)
⑧	Filter element	PVF	ZR1-FZ (30 μm)
⑨	Vacuum switch	—	ZSE2-OR-15-□ ZSE4□-00-□□-□-X105
⑩	Filter switch unit for replacement	—	ZR1-F□□-□-D

### How to Order Solenoid Valves/Air Operated Valves

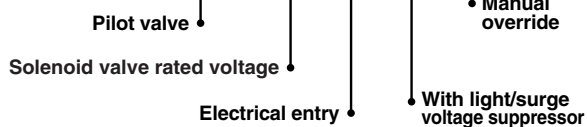
Air operated

## ZR1-VJA3130

Solenoid valve

## ZR1-VJ3233 □ - 5 M Z □ - X17 X18

## ZR1-VJ3133 □ - □ - □ - □ - □



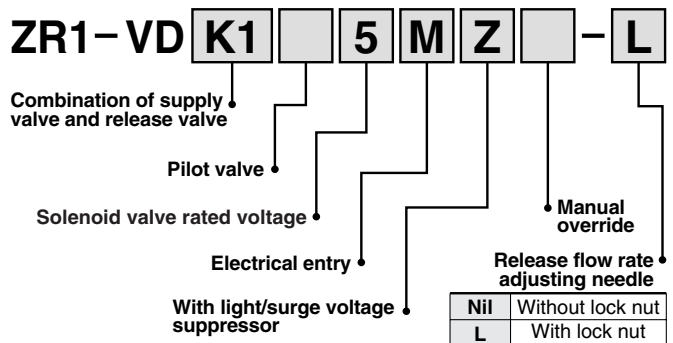
Refer to page 968 for further symbol specifications.

Note) Pilot valve gasket is included. (ZR1-PVG-1)

### Table (1) How to Order Pilot Valves

Symbol	Components		Model
	Supply valve	Release valve	
K1	Double solenoid valve N.C. (VJ3233)	Single solenoid valve N.C. (VJ3133)	→ Refer to "How to Order" below. Supply:ZR1-VJ3233-□□□□-X17 Release:ZR1-VJ3133-□□□□
C4	Double solenoid valve N.O. (VJ3233)	Double solenoid valve N.O. (VJ3233)	→ Refer to "How to Order" below. Supply:ZR1-VJ3233-□□□□-X18 Release:ZR1-VJ3233-□□□□-X18
K3	Air operated N.C (VJA3130)	Air operated N.O (VJA3130)	ZR1-VJA3130

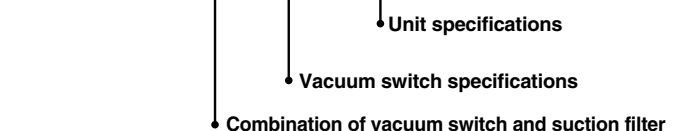
### Table (2) How to Order Valve Body Assembly



Refer to page 968 for further symbol specifications.

### Table (3) Vacuum Switch + Suction Filter Unit

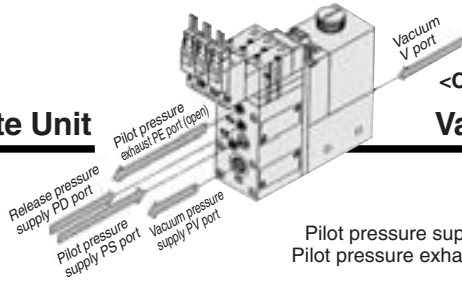
## ZR1-F □ □ - □ - D



Refer to page 953 for further symbol specifications.

# Large Size Vacuum Module: Vacuum Pump System **Series ZR**

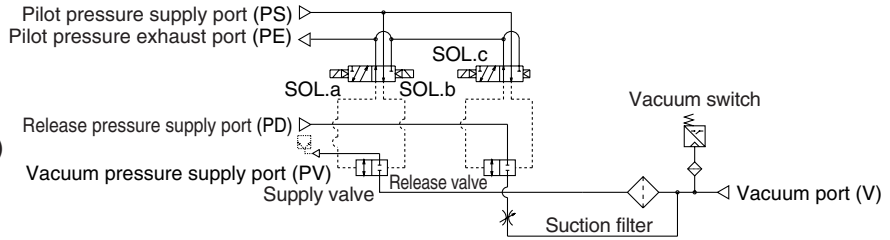
## Complete Unit



<Components>

## Valve + Vacuum Switch + Filter Unit

### Circuit diagram



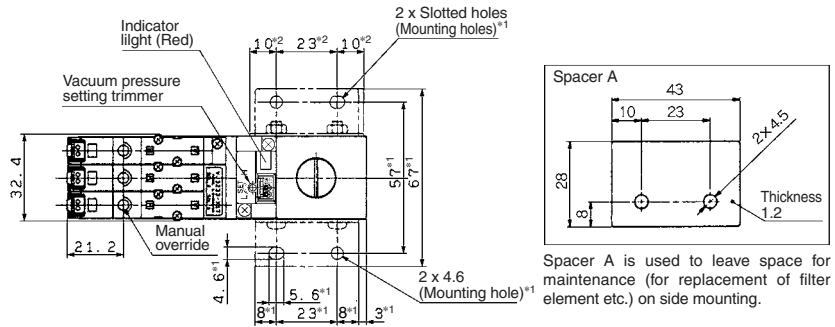
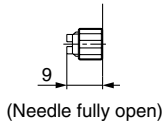
### Type K1

Vacuum valve: Double SOL.

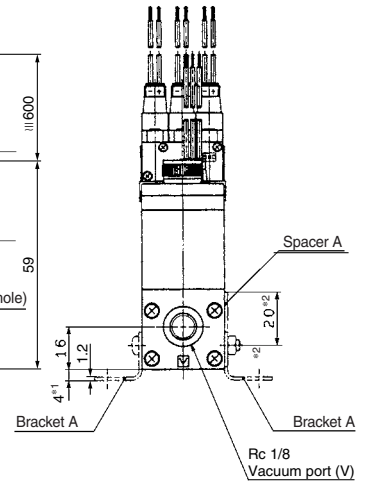
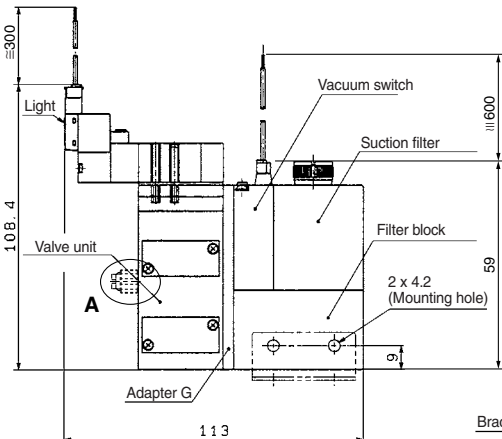
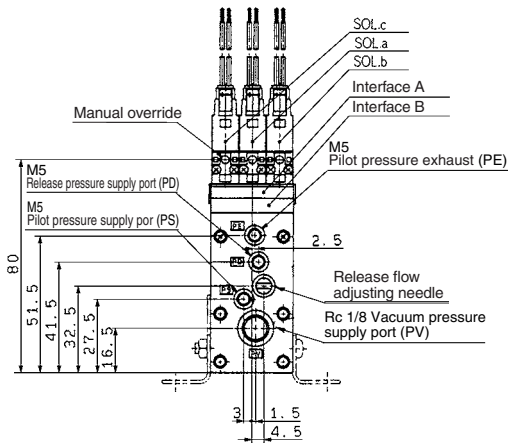
Release valve: Single SOL. (N.C.)

ZR100-K1□M□□-E□

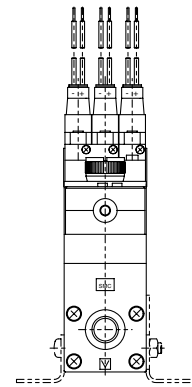
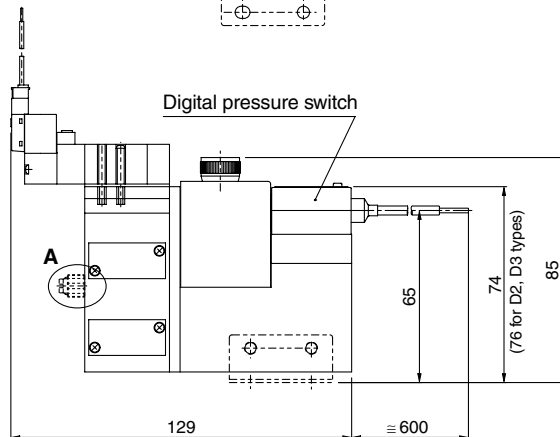
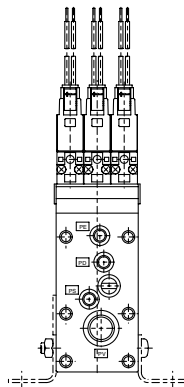
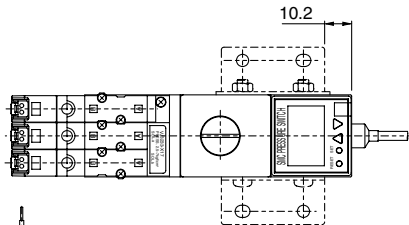
A : Release flow rate adjusting needle with lock nut



Spacer A is used to leave space for maintenance (for replacement of filter element etc.) on side mounting.



ZR100-K1□M□□-D□□-□



Note) \* 1 Dimensions for mounting bracket A  
\* 2 Dimensions for mounting spacer A  
Bracket A part no.: P3270153 (Standard accessory) Spacer A part no.: P3270156

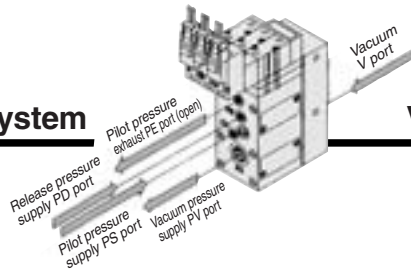
- ZA
- ZX
- ZR
- ZM
- ZMA
- ZQ
- ZH
- ZU
- ZL
- ZY□
- ZF□
- ZP□
- SP
- ZCUK
- AMJ
- AMV
- AEP
- HEP

Related Equipment

# Series ZR

## Vacuum Pump System

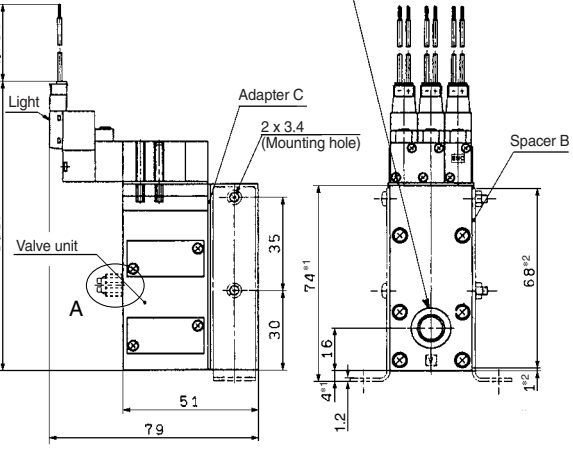
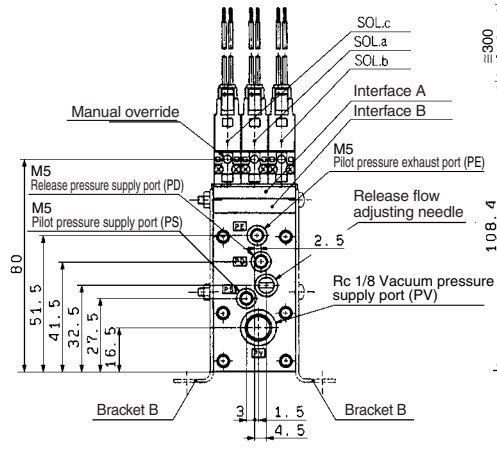
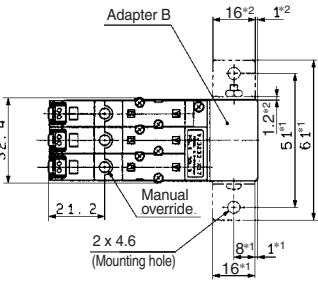
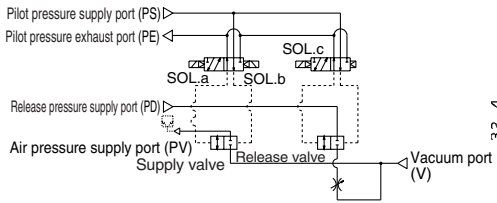
## Valve Unit



### Type K1

ZR1-VK1□M□□□□

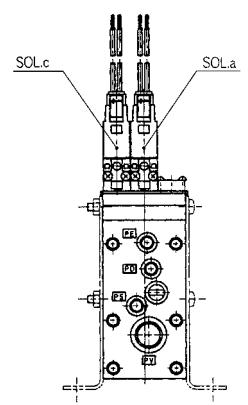
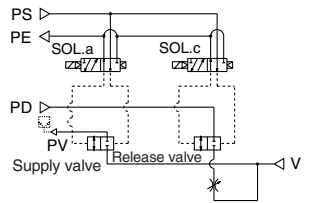
### Circuit diagram



### Type K2

ZR1-VK2□M□□□□

### Circuit diagram

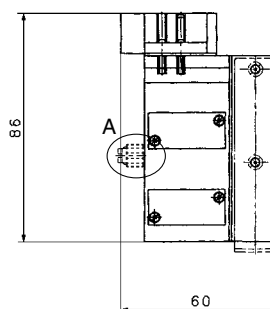
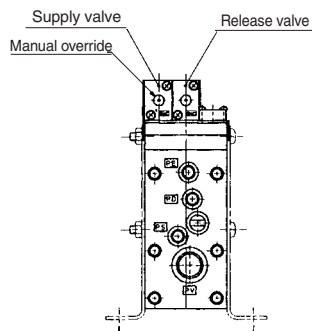
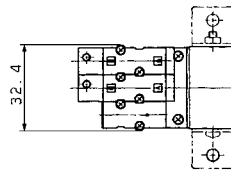
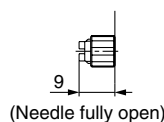
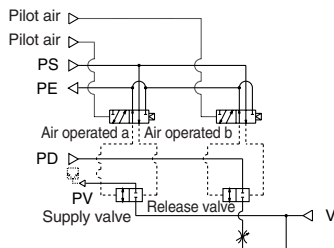


A : Release flow rate adjusting needle with lock nut

### Type K3

ZR1-VK3□M□□□□

### Circuit diagram



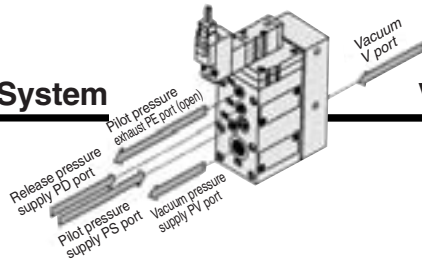
Note) \*1 Dimensions for mounting bracket B  
 \*2 Dimensions for mounting spacer B  
 Spacer B is used to leave space for maintenance (for replacement of solenoid valve etc.) on side mounting of used on surface mounting.  
 Bracket B part no.: P3270154 (Standard accessory)  
 Spacer B part no.: P3270157

★ Dimensions not indicated are identical to type K2.



**Vacuum Pump System**

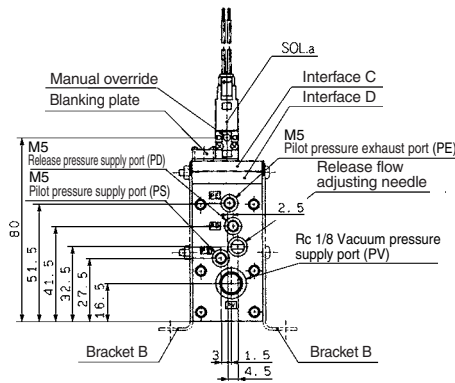
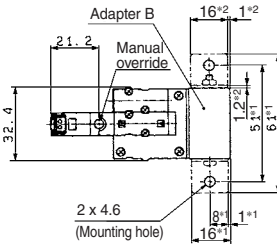
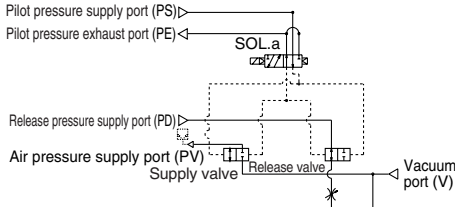
**Valve Unit**



**Type C1**

**ZR1-VC1** □ □ □ □

**Circuit diagram**

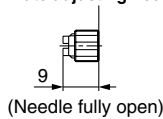
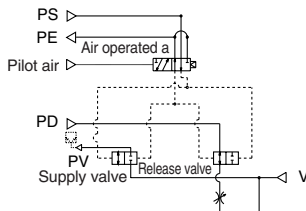


**A : Release flow rate adjusting needle with lock nut**

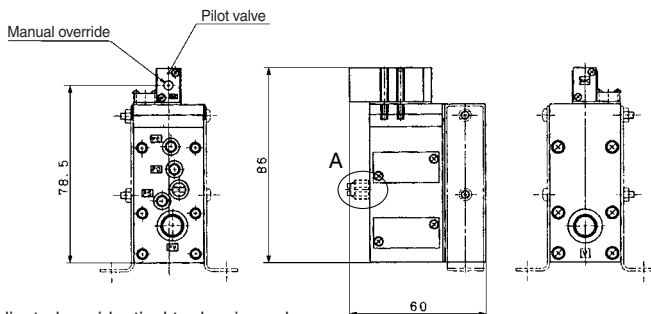
**Type C2**

**ZR1-VC2** □ □ □ □

**Circuit diagram**



Note) \* 1 Dimensions for mounting bracket B  
\* 2 Dimensions for mounting spacer B  
Spacer B is used to leave space for maintenance (for replacement of solenoid valve etc.) on side mounting of used on surface mounting.  
Bracket B part no.: P3270154 (Standard accessory)  
Spacer B part no.: P3270157

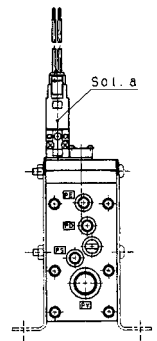
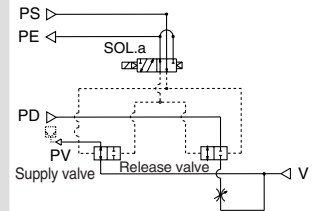


★ Dimensions not indicated are identical to drawings above.

**Type C3**

**ZR1-VC3** □ □ □ □

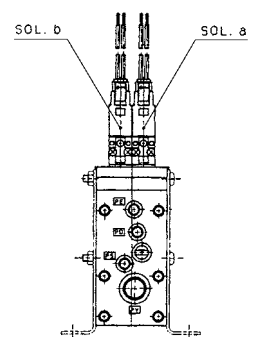
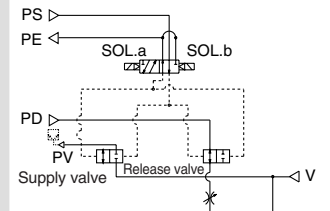
**Circuit diagram**



**Type C4**

**ZR1-VC4** □ □ □ □

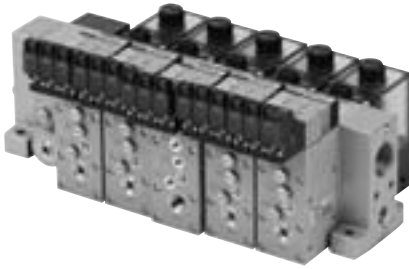
**Circuit diagram**



- ZA
- ZX
- ZR**
- ZM
- ZMA
- ZQ
- ZH
- ZU
- ZL
- ZY □
- ZF □
- ZP □
- SP
- ZCUK
- AMJ
- AMV
- AEP
- HEP

Related Equipment

## Manifold Specifications/Vacuum Pump System



### Specifications

Max. number of units	6 stations
Port	Port size
Common vacuum pressure supply port (PV)	1/8 (Rc, NPTF, G)
Common pilot pressure supply port (PS)	M5
Common release pressure supply port (PD)	M5
Common exhaust port (EXH)	1/2 (Rc, NPTF, G)
Mass	Basic mass for one station is 0.275 kg. Additional mass per one station is 0.12 kg.

Note) When using 3 or more stations with ZR100 manifold, utilize PV port as suction on both sides.

### Manifold Vacuum/Air Supply

Supply port location	Manifold Port		Left			Right		
	PV	PS	PS	PD	PV	PS	PD	
L (Left side)	☉	○	○	○	●	●	●	
R (Right side)	●	●	●	●	☉	○	○	
B (Both sides)	☉	○	○	○	☉	○	○	

Vacuum supply to ☉ PV port.

Air supply to ○ port.

BLANK plug attached to ● port.

Note) BLANK plug is attached on all ports of valve unit.

### Individual Spacer

Part no.	Port	Function
ZR1-R1	PV	Possible to set the external vacuum pressure individually
	PS	Possible to set the pilot valve air supply pressure individually
	PD	Possible to set the release valve supply pressure individually
	PE	Possible to set the pilot valve exhaust individually

Individual spacer is used when the connecting port of each unit is not common for the manifold connecting port. Mixed specifications of common and individual unit connecting ports for each unit is possible on manifolds with this individual spacer.

## How to Order Manifold

### <Manifold base>

**ZZR1 06** - [ ] [ ]

Stations	
01	1
⋮	⋮
06	6

Port location	
R	Right side
L	Left side
B	Both sides

\* Viewed from the front side of valve unit, confirm the port location on the right and/or left side.

Thread type	
Nil	Rc
F	G (Note)
T	NPTF

Note) The thread ridge shape is compatible with the G thread standard (JIS B 0203), but other shapes are not conforming to ISO16030 and ISO1179.

#### Example 1)

- ZZR106-R ..... 1 pc. (Manifold base only)
- \*ZR100-K15MZ-EC ..... 5 pcs. (Unit)
- \*ZR1-BM1 ..... 1 pc. (Blank plate)
- \*ZR1-R1-3 ..... 1 pc. (Individual spacer)

● With reference from valve side, the third station from right side

### <Function plate>

**ZR1 - RV3 - 1**

Arrangement (Right valve station which is looked from valve side is first station.)

1	1 station only
⋮	⋮
6	6 stations only
A	All stations

\* If more than one spacer is required, specify all spacers.

- Example 2) Attached to the first and third stations
- \*ZR1-RV3-1
  - \*ZR1-RV3-3
  - \*ZR1-RV3-A...2

↑  
Fill the number

### <Individual spacer>

**ZR1 - R1 - 1**

⋮  
**R16**

Refer to (About individual spacer.)

Arrangement (Right valve station which is looked from valve side is first station.)

1	1 station only
⋮	⋮
6	6 stations only
A	All stations

\* If more than one spacer is required, specify all spacers.

- Example 3) Attached to the first and third stations
- \*ZR1-R1-1
  - \*ZR1-R1-3

### <Blanking plate>

**ZR1 - BM1**

Refer to Example 1).

### ⚠ Caution when ordering manifold

- The asterisk denotes the symbol for assembly. Prefix it to the ejector part numbers to be mounted.
- When it is not added, the manifold base and ejector are shipped separately.

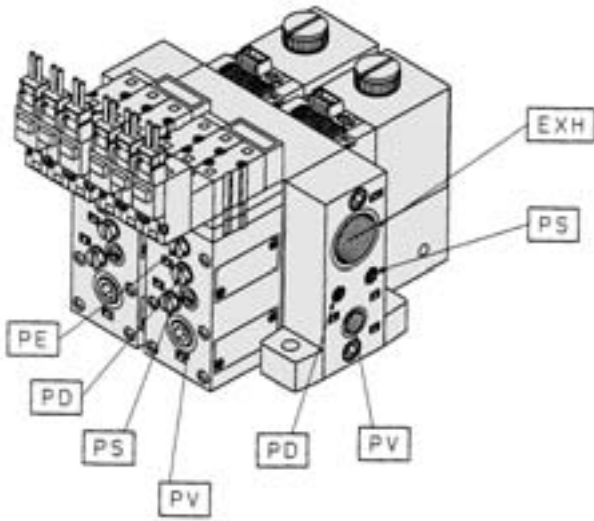
### About individual spacers

- Manifold supply or valve unit supply can be selectable for each port. In the right table, ports with the symbol ↑ mean that they are manifold supply, while others are individual supply from the valve unit.
- Symbols in the right table are printed on the surface of individual spacers.

Part no.	Symbol	Part no.	Symbol
<b>ZX1-R1</b>	R1	<b>ZX1-R9</b>	R9 ↑PV
<b>-R2</b>	R2 ↑PE	<b>-R10</b>	R10 ↑PV ↑PE
<b>-R3</b>	R3 ↑PD	<b>-R11</b>	R11 ↑PV ↑PD
<b>-R4</b>	R4 ↑PD ↑PE	<b>-R12</b>	R12 ↑PV ↑PD ↑PE
<b>-R5</b>	R5 ↑PS	<b>-R13</b>	R13 ↑PV ↑PS
<b>-R6</b>	R6 ↑PS ↑PE	<b>-R14</b>	R14 ↑PV ↑PS ↑PE
<b>-R7</b>	R7 ↑PS ↑PD	<b>-R15</b>	R15 ↑PV ↑PS ↑PD
<b>-R8</b>	R8 ↑PS ↑PD ↑PE	<b>-R16</b>	R16 ↑PV ↑PS ↑PD ↑PE

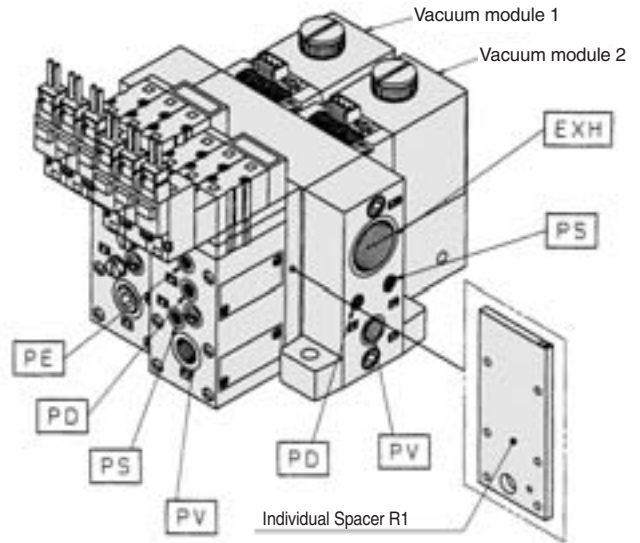
**Manifold/System Circuit Example**

When not using individual spacer



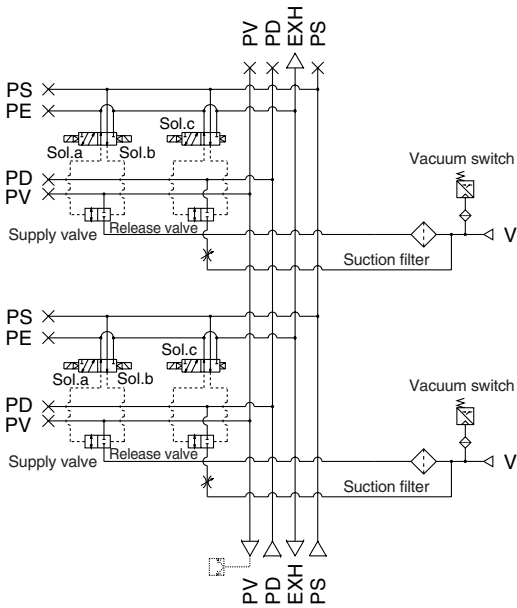
**PV:** Vacuum pressure supply port  
**PS:** Pilot pressure supply port  
**PD:** Release pressure supply port  
**PE:** Pilot pressure exhaust port  
**EXH:** Common exhaust port  
**V:** Vacuum Port

When using individual spacer

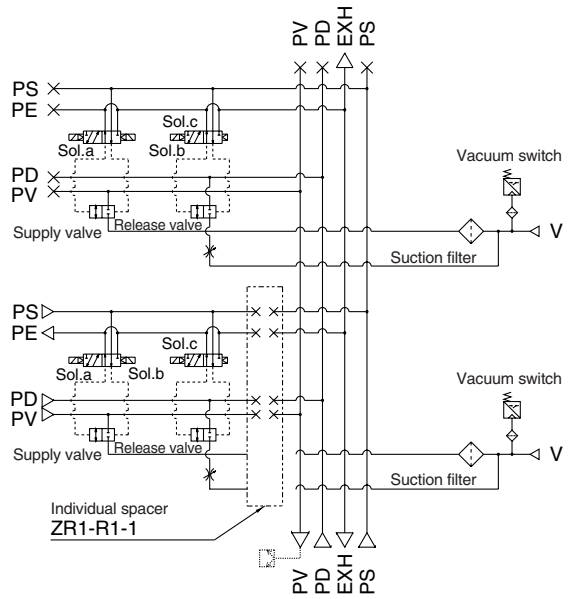


**PV:** Vacuum pressure supply port  
**PS:** Pilot pressure supply port  
**PD:** Release pressure supply port  
**PE:** Pilot pressure exhaust port  
**EXH:** Common exhaust port  
**V:** Vacuum Port

<System circuit example>



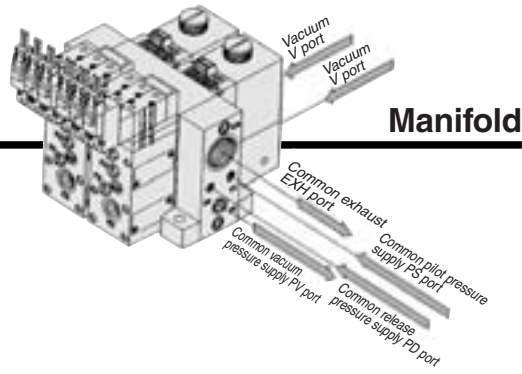
<System circuit example>



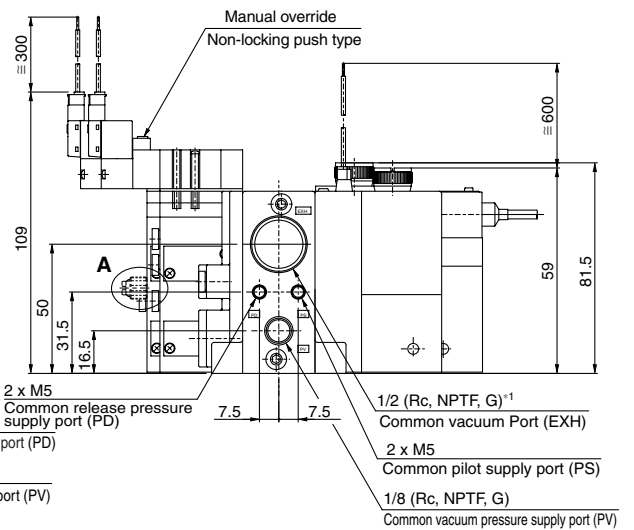
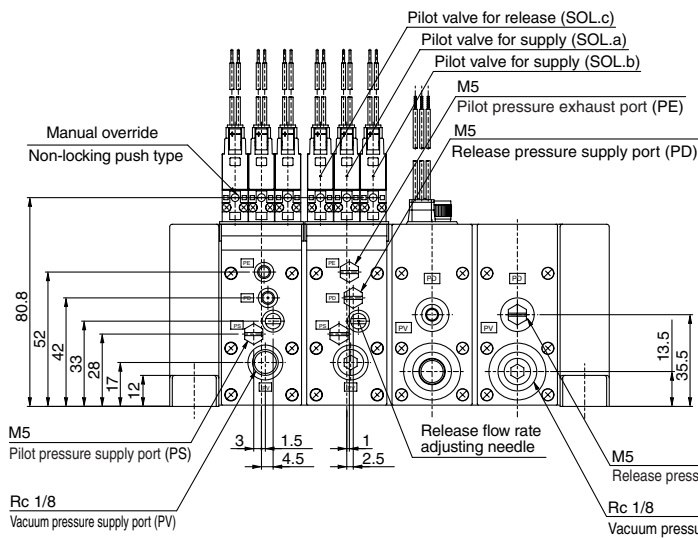
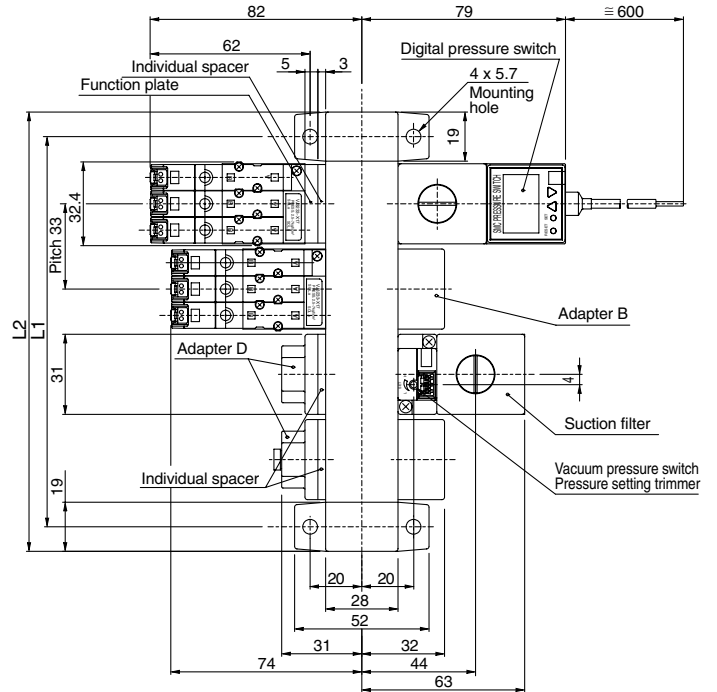
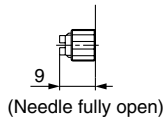
ZA
ZX
<b>ZR</b>
ZM
ZMA
ZQ
ZH
ZU
ZL
ZY□
ZF□
ZP□
SP
ZCUK
AMJ
AMV
AEP
HEP
Related Equipment

# Series ZR

## Vacuum Pump System



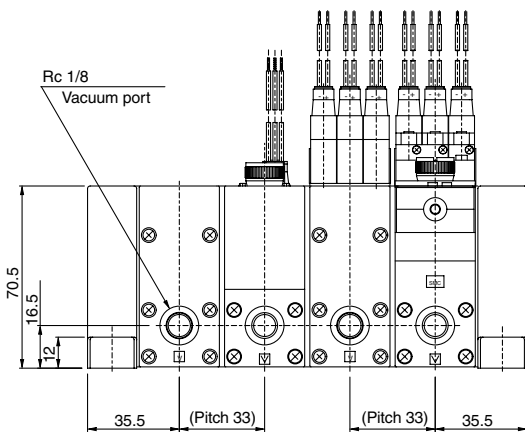
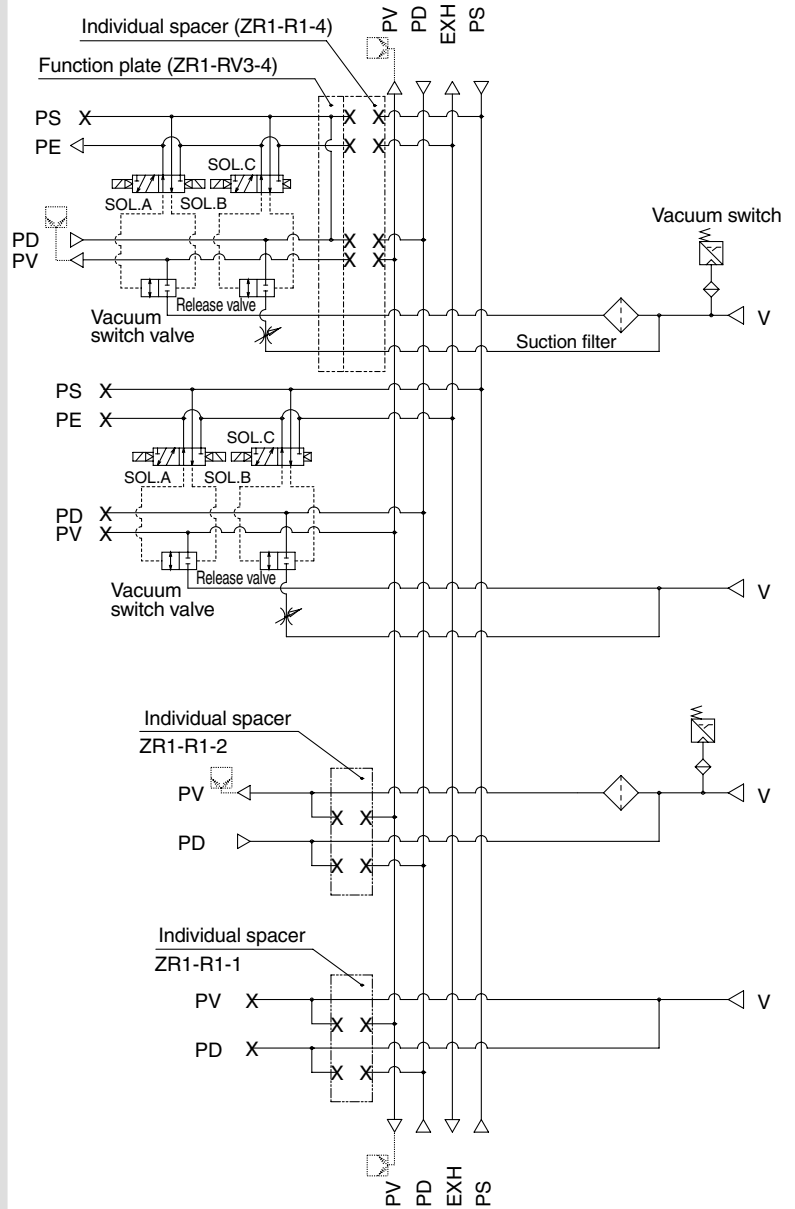
A : Release flow rate adjusting needle with lock nut



\* 1 The common exhaust port (EXH.) is also used as the pilot pressure exhaust (PE) port of the pilot valve. Use while the port is open to the atmosphere.

		(mm)					
Symbol	Stations	1	2	3	4	5	6
L1		52	85	118	151	184	217
L2		71	104	137	170	203	236

Circuit diagram

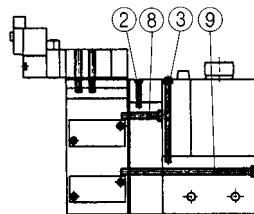
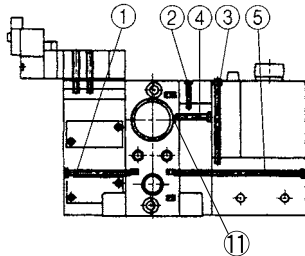


ZA
ZX
<b>ZR</b>
ZM
ZMA
ZQ
ZH
ZU
ZL
ZY□
ZF□
ZP□
SP
ZCUK
AMJ
AMV
AEP
HEP
Related Equipment

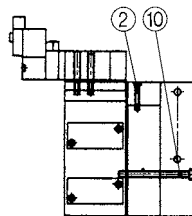
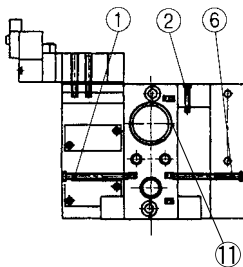
**PV** : Vacuum pressure supply port  
**PS** : Common pilot pressure supply port  
**PD** : Common release pressure supply port  
**PE** : Pilot valve exhaust port  
**EXH** : Common exhaust port  
**V** : Vacuum Port

## Ejector System Mounting Thread Parts List for Unit Combination

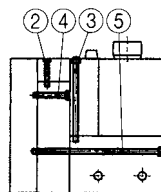
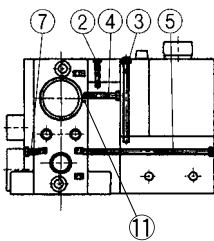
Manifold Specifications		Without Manifold	
Components	Valve unit + Ejector unit + Vacuum switch/Filter unit		



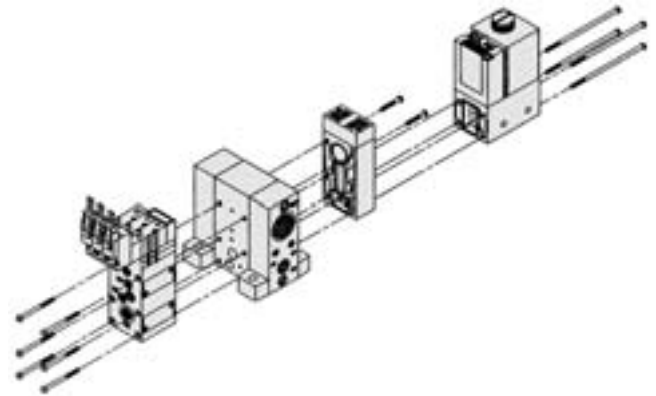
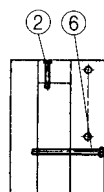
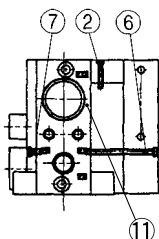
Components	Valve unit + Ejector unit
------------	---------------------------



Components	Ejector unit + Vacuum switch / Filter unit
------------	--



Components	Ejector unit
------------	--------------



## Mounting Thread Parts List for Unit Combination

No.	Combination specifications	Mounting thread	Quantity
1	Standard (without options)	M2.5 x 0.45 x 33	6
	With individual spacer	M2.5 x 0.45 x 37	6
	With function plate	M2.5 x 0.45 x 38	6
	With individual spacer + with function plate	M2.5 x 0.45 x 41	6
2	Individual, common and port exhaust style for nozzle size 10, 13	M2 x 0.4 x 13	2
	Common and port exhaust style for nozzle size 15	M2 x 0.4 x 23	2
	Individual exhaust style for nozzle size 15	M2 x 0.4 x 23	2
	Common and port exhaust style for nozzle size 18, 20	M2 x 0.4 x 48	2
3	Individual exhaust style for nozzle size 18, 20	M2 x 0.4 x 53	2
	For vacuum switch and adapter A	M2.5 x 0.45 x 41	2
4	For nozzle size 10, 13, 15	M2.5 x 0.45 x 17	2
	For nozzle size 18, 20	M2.5 x 0.45 x 21	2
5	For nozzle size 10, 13, 15	M2.5 x 0.45 x 66	4
	For nozzle size 18, 20	M2.5 x 0.45 x 70	4
	For nozzle size 10, 13, 15 [For ZSE4 spec.]	M2.5 x 0.45 x 82	4
	For nozzle size 18, 20 [For ZSE4 spec.]	M2.5 x 0.45 x 86	4
6	For nozzle size 10, 13, 15	M2.5 x 0.45 x 35	6
	For nozzle size 18, 20	M2.5 x 0.45 x 39	6
7	Standard (without options)	M2.5 x 0.45 x 5	6
	With individual spacer	M2.5 x 0.45 x 8	6
	For nozzle size 10, 13, 15	M3 x 0.35 x 19	2
	For nozzle size 18, 20	M3 x 0.35 x 23	2
8	For nozzle size 10, 13, 15 + with function plate	M3 x 0.35 x 24	2
	For nozzle size 18, 20 + with function plate	M3 x 0.35 x 28	2
	For nozzle size 10, 13, 15	M3 x 0.35 x 68	4
	For nozzle size 18, 20	M3 x 0.35 x 72	4
9	For nozzle size 10, 13, 15 + with function plate	M3 x 0.35 x 73	4
	For nozzle size 18, 20 + with function plate	M3 x 0.35 x 77	4
	For nozzle size 10, 13, 15 [For ZSE4 spec.]	M3 x 0.35 x 84	4
	For nozzle size 18, 20 [For ZSE4 spec.]	M3 x 0.35 x 88	4
10	For nozzle size 10, 13, 15 + with function plate [For ZSE4 spec.]	M3 x 0.35 x 89	4
	For nozzle size 18, 20 + with function plate [For ZSE4 spec.]	M3 x 0.35 x 93	4
	For nozzle size 10, 13, 15	M3 x 0.35 x 37	6
	For nozzle size 18, 20	M3 x 0.35 x 41	6
11 <sup>Note)</sup>	For nozzle size 10, 13, 15 + with function plate	M3 x 0.35 x 42	6
	For nozzle size 18, 20 + with function plate	M3 x 0.35 x 46	6
	When the ejector is compatible with silencer exhaust or port exhaust	M12 x 12	1
	When the ejector is compatible with common exhaust	Unnecessary	—

- Note) • Screw M12 x 12 screws (Hexagon socket head set screws) in until the head aligns with the manifold base surface.  
 • The manifold base not assembled with the unit does not include M12 x 12 screws (Hexagon socket head set screws). Please order them separately.

### ⚠ Precautions

- Be sure to read before handling.
- Refer to front matters 38 and 39 for Safety Instructions and pages 844 to 846 for Vacuum Equipment Precautions.

### ⚠ Caution

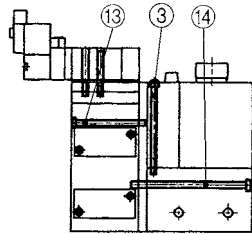
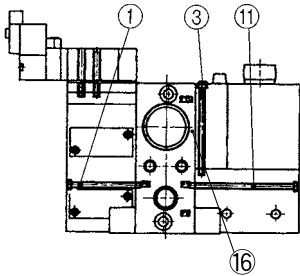
Refer to the Vacuum Equipment Model Selection on page 825 for precautions on matching with vacuum circuit.

## Vacuum Pump System

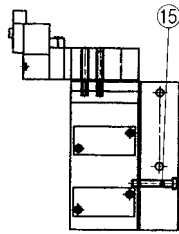
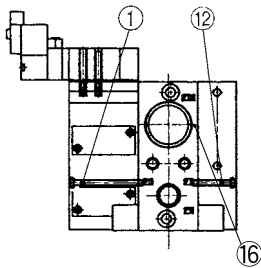
### Mounting Thread Parts List for Unit Combination

#### Manifold Specifications Without Manifold

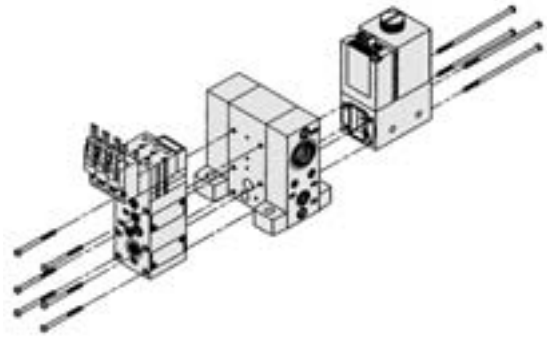
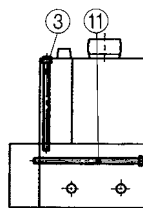
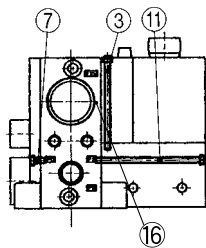
##### Components Valve unit + Vacuum switch / Filter unit



##### Components Valve unit



##### Components Vacuum switch / Filter unit



### Mounting Thread Parts List for Unit Combination

No.	Combination specifications	Mounting thread	Quantity
1	Standard (Without options)	M2.5 x 0.45 x 33	6
	With individual spacer	M2.5 x 0.45 x 37	6
	With function plate	M2.5 x 0.45 x 38	6
	With individual spacer + with function plate	M2.5 x 0.45 x 41	6
3	For vacuum switch and adapter A	M2.5 x 0.45 x 41	2
	Standard (Without options)	M2.5 x 0.45 x 5	6
7	With individual spacer	M2.5 x 0.45 x 8	6
	Standard (Without options)	M2.5 x 0.45 x 49	4
11	Standard (Without options) [For ZSE4 spec.]	M2.5 x 0.45 x 65	4
	Standard (Without options)	M2.5 x 0.45 x 18	6
12	Standard (Without options)	M2.5 x 0.45 x 33	2
	With function plate	M2.5 x 0.45 x 38	2
13	Standard (Without options)	M3 x 0.35 x 54	4
	With function plate	M3 x 0.35 x 59	4
	Standard (Without options) [For ZSE4 spec.]	M3 x 0.35 x 70	4
	With function plate [For ZSE4 spec.]	M3 x 0.35 x 75	4
14	Standard (Without options)	M3 x 0.35 x 19	6
	With function plate	M3 x 0.35 x 24	6
16 <sup>Note)</sup>	Standard	M12 x 12	1

- Note)
- Screw M12 x 12 screws (Hexagon socket head set screws) in until the head aligns with the manifold base surface.
  - The manifold base not assembled with the unit does not include M12 x 12 screws (Hexagon socket head set screws). Please order them separately.

- ZA
- ZX
- ZR**
- ZM
- ZMA
- ZQ
- ZH
- ZU
- ZL
- ZY□
- ZF□
- ZP□
- SP
- ZCUK
- AMJ
- AMV
- AEP
- HEP

Related Equipment